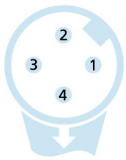
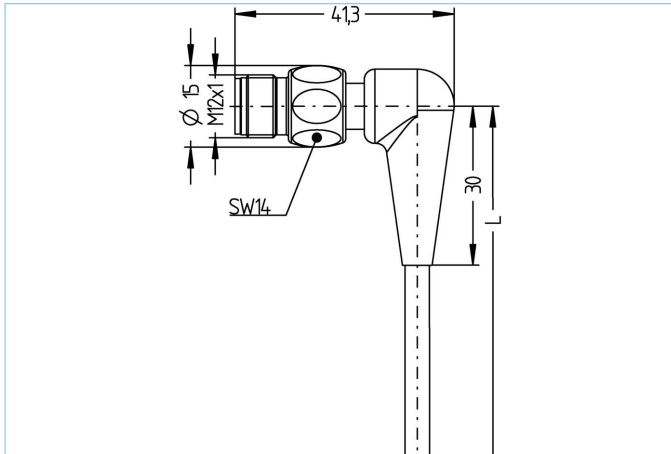


M12, male, angled, 4 poles, Food & Beverage



| Product data | |
|--------------------------------|--------------------------|
| Item description | FB-WWASH4-2/P00 |
| Item-No. | 8063775 |
| Length | 2m |
| Customs tariff-No. | 85444290 |
| Step-File | FB-WWASH4.stp |
| EAN | 4047106150860 |
| Technical data | |
| Connector | male, angled, M12 |
| Number of pins | 4 |
| Pin assignment | 1 BN, 2 WH, 3 BU, 4 BK |
| Coding | A |
| Rated voltage | 250V |
| Current load per pin (at 40°C) | 4A |
| Insulation resistance | $\geq 10^9 \Omega$ |
| Resistance | $\leq 5 m\Omega$ |
| Ambient temperature product | -40°C...+105°C |
| Contact material | Metal, CuZn, gold-plated |
| Contact-carrier material | Plastic, PP, GY |
| Grip body material | Plastic, PP, GY |
| Coupling nut material | Stainless steel, V4A |
| Standards | IEC 61076-2-101 |
| Degree of protection (mounted) | IP65, IP67, IP68, IP69 |
| Mechanical life-cycle | >100 mating cycles |
| Cable end assembly | open cable end |
| Degree of pollution | 3 |
| Style | angled |

| | |
|--------------|---------------------|
| Cable | PVC, P00, GY |
|--------------|---------------------|

PVC-cable for measurement and control-, and sensor technology. Suitable for applications in dry areas on packaging machines, assembly- and conveyor technology. High flexibility with unstressed movement (conditional drag-chain application possible). Predestined for applications in food- and beverage industry.

| | |
|------------------------------|--|
| Outer diameter of jacket | 4.50 mm |
| Cable-jacket material | PVC |
| Jacket color | GY, similar RAL7040 |
| Wire cross-section | 4 x 0.34 mm ² |
| Wire insulation material | PVC |
| Wire colors | BN, WH, BU, BK |
| Wire structure | 19 x 0.15 mm |
| Bending radius (fixed) | 5 x Ø-cable |
| Bending radius (repeated) | 10 x Ø-cable |
| Temperature range (repeated) | 0°C...+80°C |
| Temperature range (fixed) | -25°C...+80°C |
| Rated voltage cable | ≤300 V |
| Special features | seawater resistant, recyclable, LABS free, RoHs compliant, acid- and alkali resistant, ozone resistant, UV resistant |

| |
|-----------------------|
| Classification |
|-----------------------|

| | |
|------------|----------|
| eCl@ss 6.0 | 27279218 |
| eCl@ss 7.0 | 27279218 |
| eCl@ss 8.0 | 27279218 |
| eCl@ss 9.0 | 27060311 |
| ETIM 5.0 | EC001855 |
| ETIM 6.0 | EC001855 |

| |
|--------------------|
| Accessories |
|--------------------|

| |
|--|
| Mounting-set, M12 https://www.escha.net/en/products/standard/accessories-for-connectivity/8047664 |
| Torque-wrench set https://www.escha.net/en/products/standard/accessories-for-connectivity/8055431 |
| Marking rings Ø 9mm https://www.escha.net/en/products/standard/accessories-for-connectivity/?p=1&o=3&n=15&f=809 |
| Cable Stripping Tool https://www.escha.net/en/products/standard/accessories-for-connectivity/8066215 |
| Cable Stripping Tool https://www.escha.net/en/products/standard/accessories-for-connectivity/8066216 |
| Food & Beverage, Adapter https://www.escha.net/en/products/standard/accessories-for-connectivity/8063392 |

| |
|------------------------|
| Link to product |
|------------------------|

<https://www.escha.net/en/products/standard/connectors-for-the-food-industry/8063775>