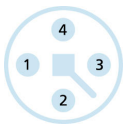
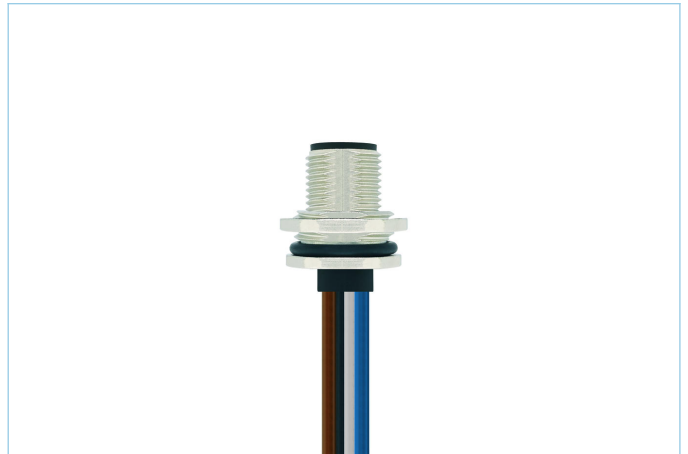
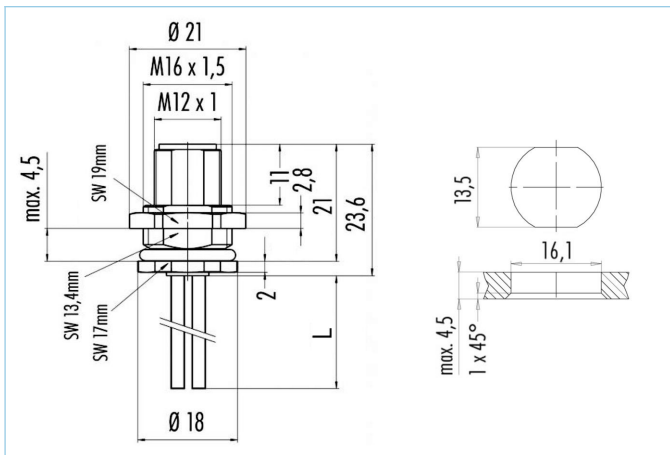


Receptacle, POWER, M12



Product data

Item description	PT-FHM12S4-0,2
Item-No.	8064856
Customs tariff-No.	85444290
Step-File	PT-FHM12S4-m.stp
EAN	4047106152840

Technical data

Connector	male, straight, M12
Number of pins	4
Pin assignment	1 BN, 2 WH, 3 BU, 4 BK
Coding	T
Rated voltage	63V _{DC}
Current load per pin (at 40°C)	12A
Resistance	$\leq 3\text{m}\Omega$
Ambient temperature product	-30°C...+90°C
Contact material	Metal, CuZn, gold-plated
Contact-carrier material	Plastic, PA, BK
Receptacle housing material	Zinc die-cast, nickel-plated
Mounting direction	Back wall-mounting (incl. Fixing screw)
Wire length	0.20m
Wire colors	BN, WH, BU, BK
Connecting type	Wire contact
Wire cross-section	4 x 1.5 mm ²
Wire insulation material	PVC
Fastening thread	M16x1.5
Standards	IEC 61076-2-111
Degree of protection (mounted)	IP65, IP67, IP68
Mechanical life-cycle	>100 mating cycles
Degree of pollution	3
Wire cross-section	4 x 1.5 mm ²
Style	straight

Classification

eCl@ss 6.0	27279220
eCl@ss 7.0	27440103
eCl@ss 8.0	27440103
eCl@ss 9.0	27440103
ETIM 5.0	EC002061
ETIM 6.0	EC002061