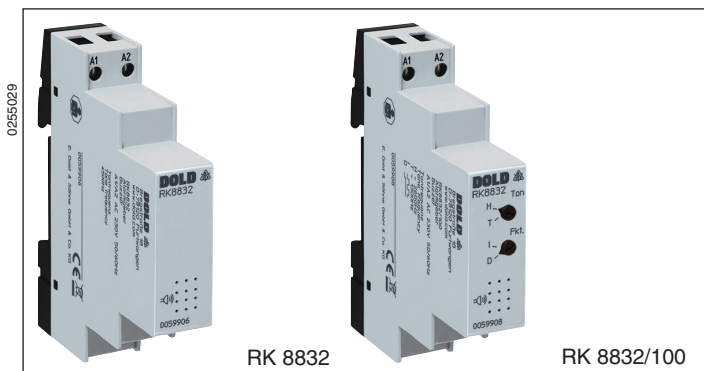


## Buzzer RK 8832

Translation  
of the original instructions



- Permanent sound, pitch fixed
- Optionally with switchable interval- / permanent sound and 2 pitches settable
- Width: 17.5 mm and depth: 64 mm

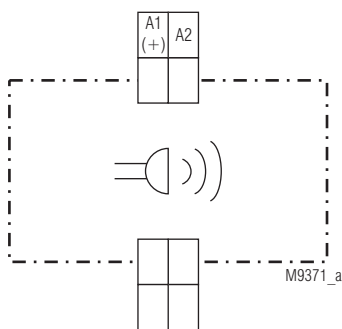
### Product Description

When the supply voltage is connected, an audible signal is generated so the alarm buzzer can be used to output audible alarms or signals, e. g. when exceeding setting values of measuring relays.

### Approvals and Markings



### Circuit Diagram



RK 8832, RK 8832/100

### Connection Terminals

Terminal designation	Signal description
A1(+)	+ / L
A2	- / N

### Applications

- Audible alarm
- Alarm buzzer in 1- or 2-family houses

### Technical Data

#### Input

<b>Nominal voltage <math>U_N</math>:</b>	AC/DC 24V AC 230 V
<b>Voltage range:</b>	0.8 ... 1.1 $U_N$
<b>Frequency range:</b>	45 ... 65 Hz

#### Output

#### Signal frequency

RK 8832:	4.5 kHz fixed
RK 8832/100:	1.3 / 2.6 kHz adjustable

#### Volume

#### (2 m distance):

RK 8832:	4.5 kHz	approx. 70 dB (A)
RK 8832/100:	1.3 kHz	approx. 60 dB (A)
	2.6 kHz	approx. 70 dB (A)

### General Data

**Nominal operating mode:** Continuous operation

#### Temperature range:

Operation:	
RK 8832, SK8832:	- 20 ... + 60 °C
RK 8832/100:	- 20 ... + 50 °C

#### Altitude:

≤ 2000 m

#### Clearance and creepage distance

rated impulse voltage / pollution degree: 4 kV / 2 IEC 60664-1

#### EMC

Electrostatic discharge (ESD):	8 kV / 2 (air)	IEC/EN 61000-4-2
HF irradiation:	10 V/m	IEC/EN 61000-4-3
Fast transients: surge voltage between	2 kV	IEC/EN 61000-4-4
wires for power supply:	1 kV	IEC/EN 61000-4-5
between wire and ground:	2 kV	IEC/EN 61000-4-5
HF wire guided:	10 V	IEC/EN 61000-4-6
interference suppression:	Limit value class B	EN 55011

## Technical Data

### Degree of protection:

Housing: IP 40 IEC/EN 60529  
Terminals: IP 20 IEC/EN 60529

**Enclosure:** thermoplastic with VO behaviour  
according UL Subject 94

**Vibration resistance:** Amplitude 0.35 mm  
Frequenz 10 ... 55 Hz, IEC/EN 60068-2-6

20 / 060 / 04 IEC/EN 60068-1

**Climate resistance:** EN 50005

**Terminal designation:** EN 50005

**Wire connection:** 1 x 2.5 mm<sup>2</sup> solid or  
max. 1 x 2.5 mm<sup>2</sup> stranded wire with sleeve  
DIN 46228-1/-2/-3/-4

**Wire fixing:** Box terminal with wire protection

**Mounting:** DIN-rail IEC/EN 60715

**Fixing torque:** 0.5 Nm

### Weight

RK 8832: 40 g

RK 8832/100: 44 g

## Dimensions

**Width x height x depth:** 17.5 x 90 x 71 mm

## Standard Type

RK 8832 AC 230 V

Article number: 0059906

- Permanent sound, pitch fixed
- Nominal voltage  $U_N$ : AC 230 V
- Width: 17.5 mm

## Variant

RK 8832/100: Interval- / permanent sound adjustable  
2 pitches settable

### Order reference for variant

RK 8832 / \_ \_ \_ AC 230V

