



Ex position switch

ExM 14 W - 5m

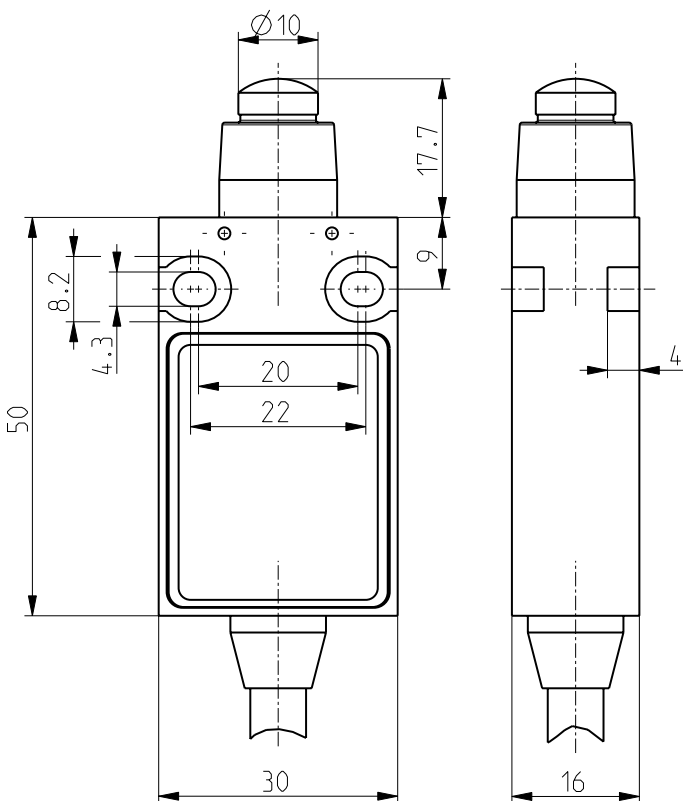
Material number: 1184768 (Material number old: 14702303)

Features/Options:

- Ex zone 1 and 21
- Thermoplastic enclosure
- Double insulated
- Mounting details to EN 50047
- Suitable for in-line mounting
- With pre-wired cable

- Actuator: Plunger with collar W
- Actuating speed max. 0.5 m/s with a vertical actuating angle of 0°
- Watertight collar for protection against penetration of dirt
- Attention: Please state required international approvals with your order!

Dimensions



Technical data

| | |
|---|---|
| Applied standards | EN 60947-5-1, EN 60079-0, EN 60079-1, EN 60079-31 |
| Enclosure | thermoplastic, glass-fibre reinforced, impact resistant, self-extinguishing UL 94 V-0 |
| Degree of protection | IP 65 to IEC/EN 60529 |
| Contact material | silver |
| Switching system | snap action |
| Switching elements | 1 change-over contact with single break, type C |
| Connection | pre-wired cable H05VV-F |
| Cable cross-section | 3 x 0.75 mm ² (incl. conductor ferrules) |
| Cable length | 5 m |
| Rated impulse withstand voltage U_{imp} | 4 kV |
| Rated insulation voltage U_i | 250 V |
| Conventional thermal current I_{the} | 5 A |
| Rated operating current/voltage I_e/U_e | 5 A/250 VAC; 0.16 A/230 VDC |
| Utilisation category | AC-15; DC-13 |
| Short-circuit protection | 5 A gG/gN fuse |
| Ambient temperature | -20 °C ... +60 °C |
| Mechanical life | > 1 million operations |
| Operation cycles | max. 1800/h |
| Repeat accuracy of switching points | ± 0.1 mm |
| Contact opening | max. 2 x 4 mm |

Errors and omissions excepted.



Ex position switch

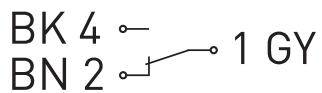
ExM 14 W - 5m

Material number: 1184768 (Material number old: 14702303)

Technical data

| | |
|------------|---|
| Ex marking | II 2G Ex d IIC T6 Gb, II 2D Ex tb IIIC T80 °C Db IP65 |
| Approvals | PTB 03 ATEX 1069 X ERC |
| Weight | 390 g |

Contact diagram



Switching diagram

