



## Position switch Extreme EM 14 WR - 2m -40°C IP66 Extreme Material number: 1189412 (Material number old: 14710904)

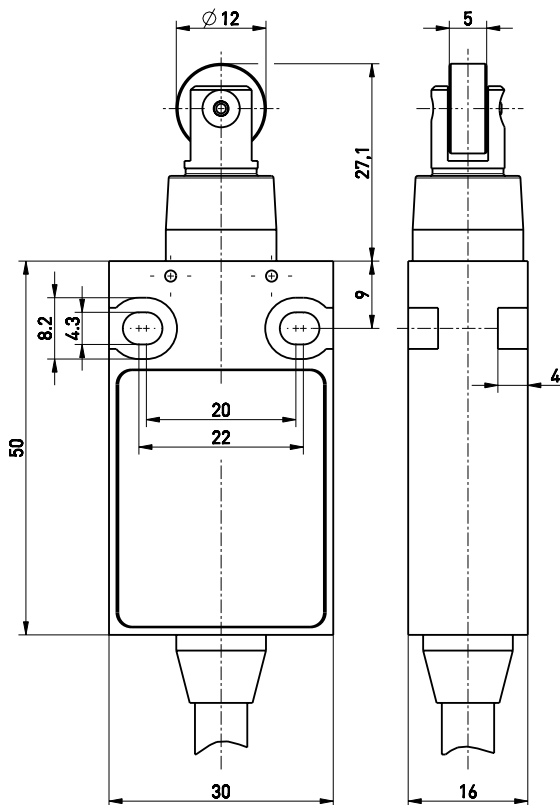
### Features/Options:

- Cold-resistant down to -40 °C
- High degree of protection IP 66
- Thermoplastic enclosure
- Double insulated
- Snap action, change-over contact with single break
- Mounting details to EN 50047
- Suitable for in-line mounting
- With pre-wired cable
- Actuator: Roller plunger with collar WR
- Actuating speed max. 0.5 m/s with a vertical actuating angle of 25°
- Metal roller
- Silicone collar for protection against penetration of dirt
- Attention: Please state required international approvals with your order!

### Notes

- Actuator can be repositioned by 90° on request

### Dimensions



### Technical data

Applied standards	EN 60947-5-1
Enclosure	thermoplastic, glass-fibre reinforced, impact resistant, self-extinguishing UL 94 V-0
Degree of protection	IP 66 to IEC/EN 60529
Contact material	silver
Switching system	snap action
Switching elements	1 change-over contact with single break, type C
Connection	cable 3 x AWG 20
Cable cross-section	3 x 0.56 mm <sup>2</sup>
Cable length	2 m
Rated impulse withstand voltage $U_{imp}$	4 kV
Rated insulation voltage $U_i$	250 V
Conventional thermal current $I_{the}$	5 A
Rated operating current/voltage $I_e/U_e$	5 A/250 VAC; 0.16 A/230 VDC
Utilisation category	AC-15; DC-13
Short-circuit protection	5 A gG/gN fuse
Ambient temperature	-40 °C ... +75 °C
Mechanical life	> 1 million operations
Operation cycles	max. 1800/h

Errors and omissions excepted.



Position switch Extreme  
 EM 14 WR - 2m -40°C IP66 Extreme  
 Material number: 1189412 (Material number old: 14710904)

## Technical data

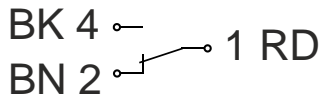
Repeat accuracy of switching points  $\pm 0.1$  mm

Contact opening max. 2 x 4 mm

Approvals 

Weight 150 g

## Contact diagram



## Switching diagram

