



Position switch Extreme

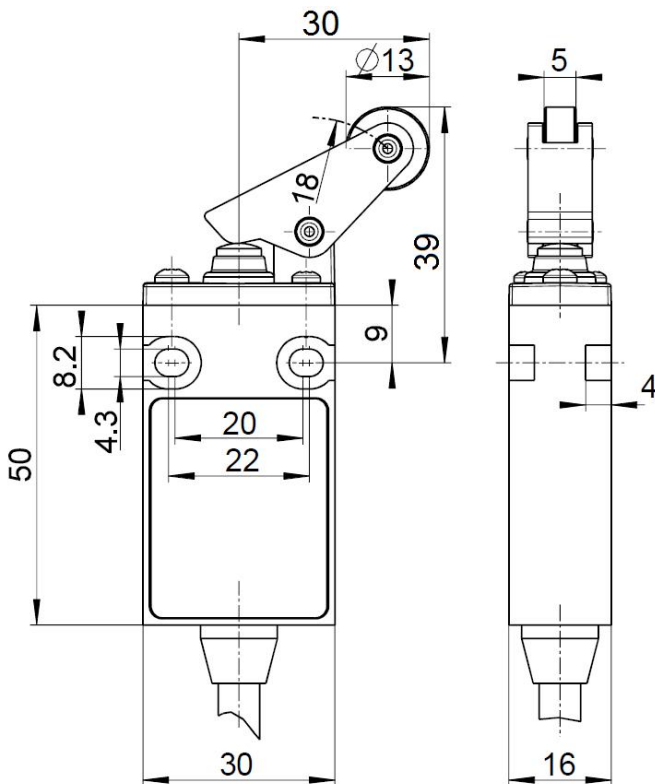
EM 14 WPH 1Ö/1S - 5m -40°C IP66 Extreme

Material number: 1243772

Features/Options:

- Cold-resistant down to -40 °C
- High degree of protection IP 66
- Thermoplastic enclosure
- Double insulated
- Snap action, change-over contact with double break
- Mounting details to EN 50047
- Suitable for in-line mounting
- With pre-wired cable
- Actuator: Parallel roller lever with collar WPH
- Actuating speed max. 0.5 m/s with a vertical actuating angle of 30°
- Wear-resistant plastic roller
- Exact repeatability of switching point
- Silicone collar for protection against penetration of dirt
- Attention: Please state required international approvals with your order!

Dimensions



Technical data

Applied standards	EN 60947-5-1
Enclosure	thermoplastic, glass-fibre reinforced, impact resistant, self-extinguishing UL 94 V-0
Degree of protection	IP 66 to IEC/EN 60529
Contact material	silver
Switching system	snap action
Switching elements	1 NC/1 NO contact, type Za
Connection	cable 4 x AWG 20
Cable cross-section	4 x 0.56 mm ²
Cable length	5 m
Rated impulse withstand voltage U_{imp}	4 kV
Rated insulation voltage U_i	250 V
Conventional thermal current I_{the}	5 A
Rated operating current/voltage I_e/U_e	5 A/250 VAC; 0.16 A/230 VDC
Utilisation category	AC-15; DC-13
Short-circuit protection	5 A gG/gN fuse
Ambient temperature	-40 °C ... +75 °C
Mechanical life	> 1 million operations
Operation cycles	max. 1800/h
Repeat accuracy of switching points	± 0.1 mm
Contact opening	max. 2 x 4 mm

Errors and omissions excepted.



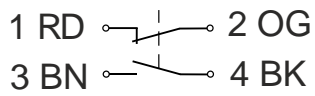
Position switch Extreme
EM 14 WPH 1Ö/1S - 5m -40°C IP66 Extreme
Material number: 1243772

Technical data

Approvals



Contact diagram



Switching diagram

