

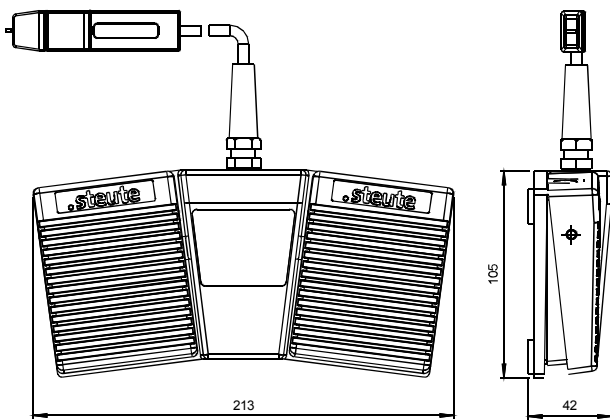


Foot switch with thermoplastic enclosure KF 2 1PW/1PW HID GP25 3m Material number: 1354558

Features/Options:

- With USB HID-Interface
- Thermoplastic enclosure
- Small flat design
- With pre-wired cable, cable length 3 m and HID module at USB connector
- Delivery status "Not configured"
- Product-ID: 0x1001
- Vendor-ID: 0x1EDE
- Software version: V01.00

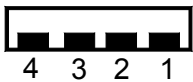
Dimensions



Technical data

Applied standards	EN 60947-5-1
Enclosure	thermoplastic, glass-fibre reinforced, impact resistant, self-extinguishing UL 94 V-0
Pedal	thermoplastic, glass-fibre reinforced, impact resistant, self-extinguishing UL 94 V-0
Degree of protection	IP 65 to IEC/EN 60529
Connection	cable 4 x AWG 26
Cable length	3 m
Cable diameter	4.3 mm ±3%
Switching system	micro switch
Switching elements	1 NO contact per pedal
Ambient temperature	-10 °C ... +60 °C
Mechanical life	> 1 million operations
Weight	495 g

Connection diagram



1	VBUS	+5 VDC
2	D-	Data -
3	D+	Data +
4	GND	Ground

Errors and omissions excepted.