



Ex belt alignment switch

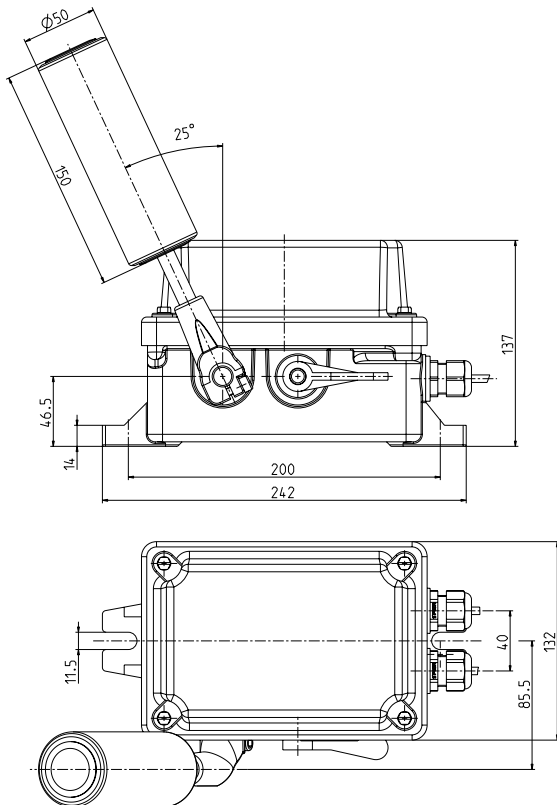
Ex ZS 90 SR 1ÖS/1ÖS VD - 3m

Material number: 1185386 (Material number old: 76431302)

Features/Options:

- Ex zone 1 and 21
- Thermoplastic enclosure
- 4 contacts
- With contact staggering
- With latching and release by lever
- Belt-alignment lever continuously adjustable
- Attention: Please state required international approvals with your order!

Dimensions



Technical data

Applied standards	EN 60947-5-1, EN 60079-0, EN 60079-1, EN 60079-31, EN ISO 13849-1
Enclosure	thermoset, UV resistant to EN ISO 4892
Cover	thermoset, UV resistant to EN ISO 4892
Degree of protection	IP 65 to IEC/EN 60529
B_{10d} (10 % load)	200 000
T_M	max. 20 years
Switch insert	2 x Ex 14
Contact material	silver
Switching system	slow action, positive break NC contacts \ominus
Switching elements	2 NC/2 NO contacts, type Zb
Connection	pre-wired cable H05VV-F
Cable length	3 m
Cable entry	2 x M25 x 1.5 (incl. 2 cable glands)
Rated impulse withstand voltage U_{imp}	4 kV
Rated insulation voltage U_i	250 V
Conventional thermal current I_{the}	T6: 6 A, T5: 3 A
Utilisation category	AC-15; DC-13
Rated operating current/voltage I_g/U_g	6 A/250 VAC; 0.25 A/230 VDC
Short-circuit protection	6 A gG/gN fuse
Ambient temperature	T6: -20 °C ... +65 °C, T5: -20 °C ... +75 °C, +90 °C with max. 3 A
Mechanical life	> 100 000 operations

Errors and omissions excepted.

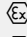
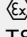


Ex belt alignment switch

Ex ZS 90 SR 1ÖS/1ÖS VD - 3m

Material number: 1185386 (Material number old: 76431302)

Technical data

Impact energy	max. 7 J
Ex marking	 II 2G Ex db IIC T6/T5 Gb,  II 2D Ex tb IIIC T80 °C/T95 °C Db IECEX Ex db IIC T6/T5 Gb, Ex tb IIIC T80 °C/T95 °C Db
Approvals	PTB 03 ATEX 1070 X * IECEX PTB 06.0098X * * referring to the switch insert ERC
Weight	3400 g