



Ex safety switch for hinged guards

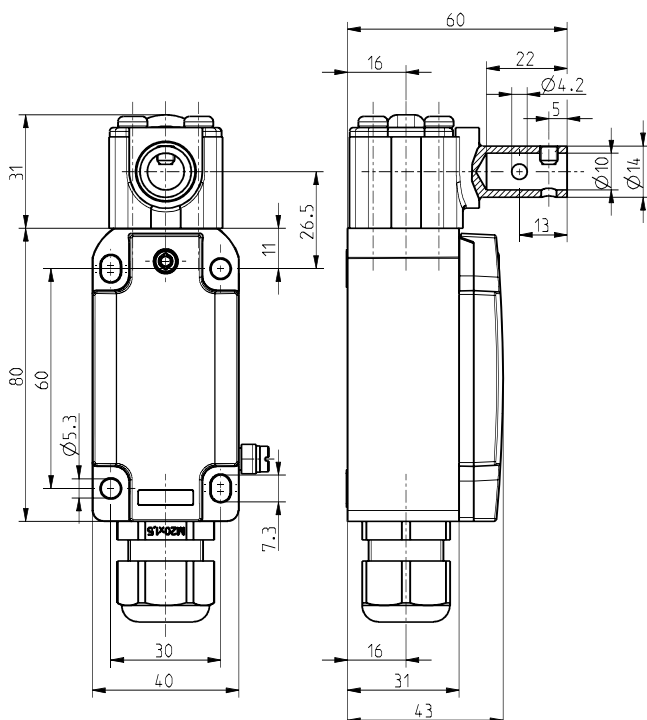
Ex ES 98 SB-02-10mm

Material number: 1336010 (Material number old: 9105543001)

Features/Options:

- Ex zone 1 and 21
- Metal enclosure
- Wiring compartment
- Design to EN 50041
- Actuator can be repositioned by 4 x 90°
- Actuating shaft can be turned 360°
- Shaft bore \varnothing 10 mm
- Attention: Please state required international approvals with your order!

Dimensions



Technical data

Applied standards	EN 60947-5-1, EN 60079-0, EN 60079-1, EN 60079-7, EN 60079-31, EN ISO 13849-1, EN ISO 14119
Enclosure	aluminium die-cast, corrosion-resistant, powder-coated, anthracite grey, similar to RAL 7016
Cover	stainless steel 1.4401, powder-coated, signal yellow, similar to RAL 1003
Sealing	silicone
Switch type	type 1
Coding level	no coding
Degree of protection	IP 66 to IEC/EN 60529
B_{10d} (10 % load)	2 million
T_M	max. 20 years
Contact material	silver
Switching system	slow action, positive break NC contacts \ominus
Switching elements	2 NC contacts, type Zb
Connection	screw connection terminals
Cable cross-section	min. 0,75 mm ² / AWG 18, max. 1,5 mm ² / AWG 16, incl. conductor ferrules
Cable entry	1 x M20 x 1.5 (incl. 1 cable gland)
Clamping range	7 ... 13 mm
Rated impulse withstand voltage U_{imp}	4 kV
Rated insulation voltage U_i	250 V
Conventional thermal current I_{the}	6 A

Errors and omissions excepted.



Ex safety switch for hinged guards

Ex ES 98 SB-02-10mm

Material number: 1336010 (Material number old: 9105543001)

Technical data

Rated operating current/
voltage I_e/U_e 6 A/250 VAC; 0.25 A/230 VDC

Utilisation category AC-15; DC-13

Short-circuit protection 6 A gG/gN fuse

Ambient temperature T6: -20 °C ... +40 °C;
T5: -20 °C ... +60 °C

Mechanical life > 1 million operations

Impact energy max. 7 J

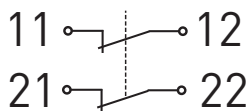
Ex marking II 2G Ex db eb IIC T6/T5 Gb,
 II 2D Ex tb IIIC
T80°C/T95°C Db
IECEX Ex db eb IIC T6/T5 Gb,
Ex tb IIIC T80°C/T95°C Db

Approvals DMT 01 ATEX E 178
IECEX BVS 07.0014

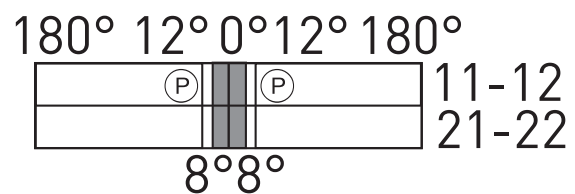


Weight 355 g

Contact diagram



Switching diagram



Positive break travel/angle