



## Ex solenoid interlock Ex STM 295 1Ö1S/1Ö1S-R/90°-3G/D

Material number: 1184334 (Material number old: 95353304)

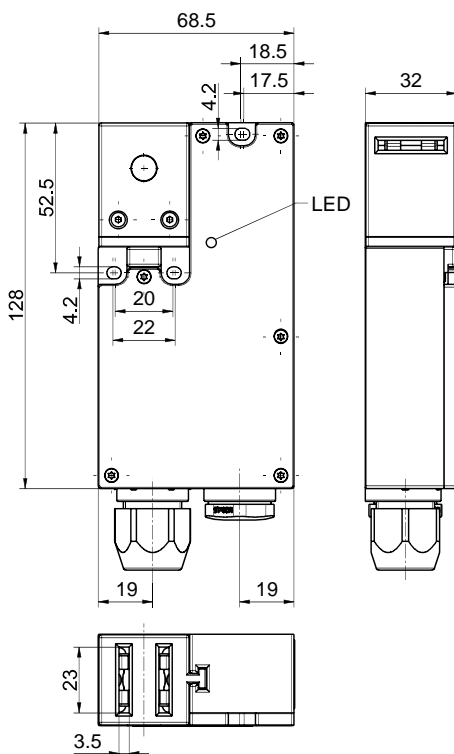
### Features/Options:

- Ex zone 2 and 22
- Thermoplastic enclosure
- Double insulated
- Spring-to-lock principle
- Locking force 1000 N
- Wiring compartment
- With LED

### Notes

- The actuator is not included in the delivery of the switches

### Dimensions



### Technical data

Applied standards	EN 60947-5-1, EN 60079-0, EN 60079-1, EN 60079-7, EN 60079-18, EN 60079-31, EN ISO 13849-1, EN ISO 14119
Enclosure	thermoplastic, glass-fibre reinforced, impact resistant, self-extinguishing UL 94 V-0
Switch type	type 2
Coding level	low coding
Tightening torque	cover screws: 0.5 ... 0.6 Nm switch inserts M3 screw connection terminals: min. 0.6 Nm solenoid M3.5 screw connection terminals: min. 0.8 Nm
Degree of protection	IP 67 to IEC/EN 60529
$B_{10d}$ (10 % load)	1 million
$T_M$	max. 20 years
Contact material	silver
Switching system	slow action, positive break NC contacts $\ominus$
Switching elements	1 NC/1 NO contact + 1 NC/1 NO contact, type Zb
Connection	screw connection terminals
Cable cross-section	min. 0.2 mm <sup>2</sup> / AWG 24, max. 1.5 mm <sup>2</sup> / AWG 16
Cable entry	2 x M20 x 1.5 (incl. 1 cable gland)
Clamping range	7 ... 12 mm
Rated insulation voltage $U_i$	250 V
Rated impulse withstand voltage $U_{imp}$	4 kV
Utilisation category	AC-15; DC-13

Errors and omissions excepted.



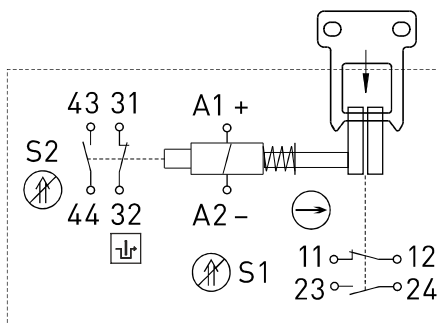
## Ex solenoid interlock Ex STM 295 1Ö1S/1Ö1S-R/90°-3G/D

Material number: 1184334 (Material number old: 95353304)

### Technical data

Rated operating current/ voltage $I_e/U_e$	enabling/signalling contacts: 3 A/250 VAC; 0.25 A/230 VDC; direct-current solenoid: 0.08 A / 24 VDC +10 %/-15 %
Short-circuit protection	3 A gG/gN fuse; direct-current solenoid: 2 A (slow blow)
Power consumption	max. 47 W (0.25 s)
Operation cycles	max. 1200/h
Mechanical life	> 500 000 operations
Locking force $F_{max}$	1000 N
Impact energy	max. 7 J
Ambient temperature	-20 °C ... +55 °C
Ex marking	⊕ II 3G Ex dc ec mc IIC T4 Gc ⊕ II 3D Ex tc IIIC T100°C Dc
Weight	424 g

### Contact diagram



- positive break
- actuated
- not actuated
- monitoring of the guard-lock to EN ISO 14119

Errors and omissions excepted.