



## Position switch Extreme ES 41 D 1Ö/1S-STECK -35°C Extreme Material number: 1179431 (Material number old: 41021916)

### Features/Options:

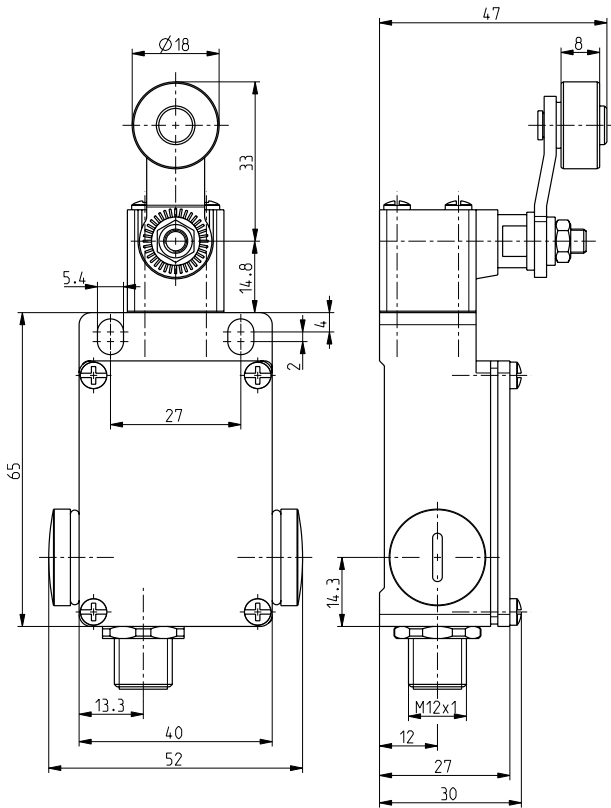
- Metal enclosure
- 2 contacts
- Cold-resistant down to -35 °C
- Locking screws, brass nickel-plated
- Actuator: Rocking lever D
- Actuating speed max. 0.5 m/s with a vertical actuating angle of 45°

- Wear-resistant plastic roller
- Lever can be repositioned in 10° steps clockwise or counter-clockwise
- Actuator can be repositioned by 180°
- Attention: Please state required international approvals with your order!

### Notes

- With metal roller available on request

### Dimensions



### Technical data

|   |   |
|---|---|
| Applied standards                         | EN 60947-5-1  |
| Enclosure                                 | aluminium die-cast, powder-coated                   |
| Cover                                     | steel, powder-coated                                |
| Degree of protection                      | IP 65 to IEC/EN 60529                               |
| Contact material                          | silver  |
| Switching system                          | slow action   |
| Switching elements                        | 1 NC/1 NO contact, type Za                          |
| Connection                                | plug-in-connector M12 x 1, 4-poles                  |
| Rated impulse withstand voltage $U_{imp}$ | 4 kV  |
| Rated insulation voltage $U_i$            | 400 V   |
| Conventional thermal current $I_{the}$    | 6 A   |
| Utilisation category                      | AC-15   |
| Rated operating current/voltage $I_e/U_e$ | 6 A/400 VAC   |
| Short-circuit protection                  | 6 A gG/gN fuse                                      |
| Mechanical life                           | > 1 million operations                              |
| Operation cycles                          | max. 1800/h   |
| Ambient temperature                       | -35 °C ... +80 °C                                   |
| Approvals                                 |   |
| Cable cross-section                       | max. 2.5 mm <sup>2</sup> (incl. conductor ferrules) |

Errors and omissions excepted.



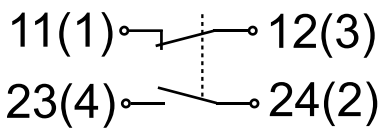
Position switch Extreme  
 ES 41 D 1Ö/1S-STECK -35°C Extreme  
 Material number: 1179431 (Material number old: 41021916)

### Technical data

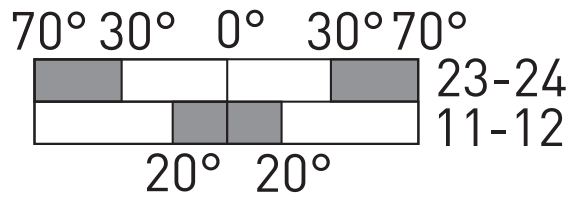
Cable entry 3 x M16 x 1.5

Weight 220 g

### Contact diagram



### Switching diagram



### Plug-in configuration

