



Pull-wire switch ZS 71 Z 1Ö/1S

Material number: 1179743 (Material number old: 71141919)

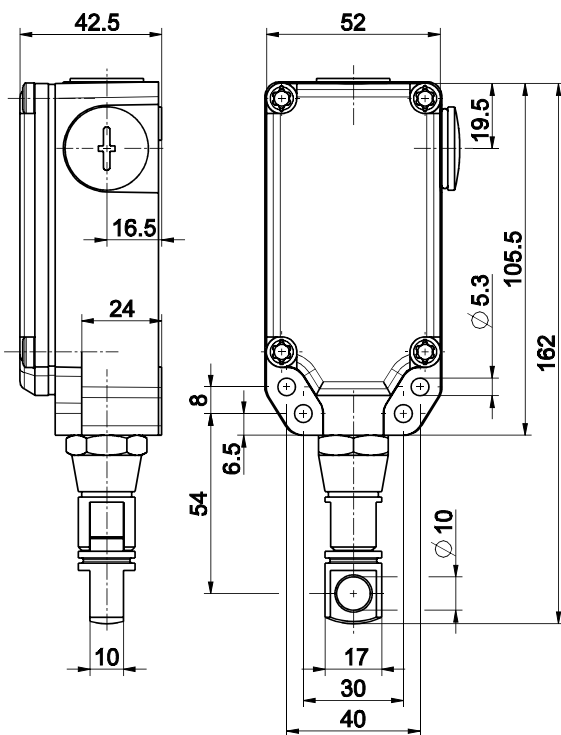
Features/Options:

- Metal enclosure
- Wall mounting

Notes

- One wire thimble is provided.

Dimensions



Technical data

Applied standards	EN 60947-5-1
Enclosure	aluminium die-cast, powder-coated
Cover	thermoplastic, glass-fibre reinforced, impact resistant, self-extinguishing UL 94 V-0
Degree of protection	IP 65 to IEC/EN 60529
Contact material	silver
Switching elements	1 NC/1 NO contact, type Zb
Switching system	snap action, positive break NC contacts \ominus
Connection	screw connection terminals
Cable cross-section	max. 2.5 mm ² (incl. conductor ferrules)
Cable entry	2 x M20 x 1.5
Rated impulse withstand voltage U_{imp}	6 kV
Rated insulation voltage U_i	400 V
Conventional thermal current I_{the}	6 A
Utilisation category	AC-15
Rated operating current/voltage I_e/U_e	6 A/400 VAC
Short-circuit protection	6 A gG/gN fuse
Ambient temperature	-25 °C ... +70 °C
Mechanical life	> 1 million operations
Actuating force	max. 100 N
Approvals	
Weight	380 g

Errors and omissions excepted.

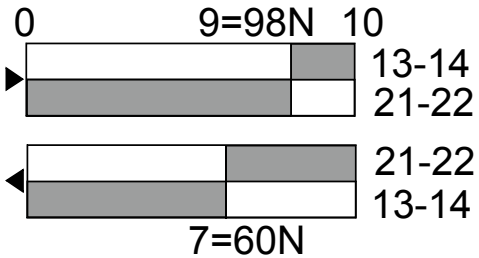


Pull-wire switch

ZS 71 Z 1Ö/1S

Material number: 1179743 (Material number old: 71141919)

Switching diagram



Contact diagram

