



Foot switch Extreme GFS 1Ö/1S IP69 Thermoplastic protective shield Extreme Material number: 1184570 (Material number old: 812019117)

Features/Options:

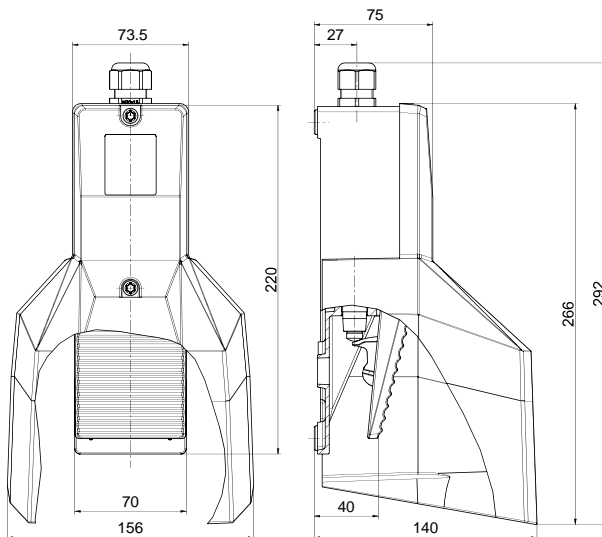
- Version with higher degree of protection IP 69: suitable for cleaning with 80 °C hot water at 100 bar pressure at a distance of 100 mm from different directions
- With thermoplastic protective shield
- High level of stability

- Low pedal height
- Wiring compartment
- Attention: Please state required international approvals with your order!

Notes

- 1 cable gland M20x1.5 - IP 69 included in delivery

Dimensions



Technical data

Applied standards	EN 60947-5-1
Enclosure	aluminium die-cast, powder-coated
Pedal	thermoplastic, glass-fibre reinforced, impact resistant, self-extinguishing UL 94 V-0
Protective shield	thermoplastic, glass-fibre reinforced, impact resistant, self-extinguishing UL 94 V-0
Tightening torque	cover screws: approx. 3 Nm
Degree of protection	IP 66, IP 67, IP 69 (IEC/EN 60529) / IP 69K (ISO 20653)
B _{10d} (10 % load)	2 million
T _M	max. 20 years
Connection	screw connection terminals
Cable cross-section	max. 2.5 mm ² (incl. conductor ferrules)
Cable entry	1 x M20 x 1.5
Contact material	silver
Switching system	slow action, positive break NC contacts \ominus
Switch insert	1 x ES 60 GF
Utilisation category	AC-15
Rated operating current/voltage I _e /U _e	16 A/400 VAC
Short-circuit protection	16 A gG/gN fuse
Ambient temperature	-25 °C ... +80 °C
Mechanical life	> 1 million operations

Errors and omissions excepted.



Foot switch Extreme
GFS 1Ö/1S IP69 Thermoplastic protective shield Extreme
Material number: 1184570 (Material number old: 812019117)

Technical data

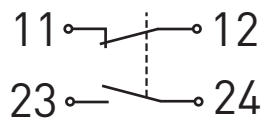
Approvals



Switching elements 1 NC/1 NO contact, type Zb

Weight 944 g

Contact diagram



Switching diagram

