



Foot switch with metal enclosure

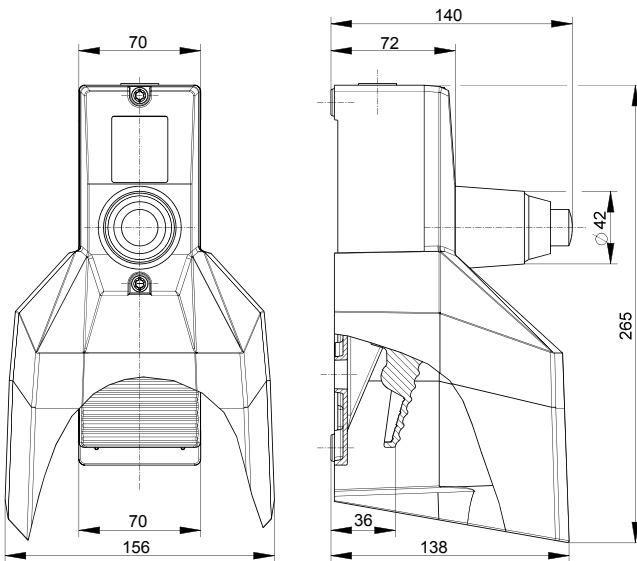
GFSM 1Ö/1S NA 2Ö

Material number: 1183115 (Material number old: 81202920)

Features/Options:

- With emergency-stop push button
- Metal enclosure
- With protective shield
- High level of stability
- Low pedal height
- Wiring compartment

Dimensions



Technical data

Applied standards	EN ISO 13849-1, EN 60947-5-1, EN 60947-5-5, GS-ET-08
Enclosure	aluminium die-cast, powder-coated
Pedal	thermoplastic, glass-fibre reinforced, impact resistant, self-extinguishing UL 94 V-0
Protective shield	aluminium die-cast, powder-coated
Degree of protection	IP 65 to IEC/EN 60529
B_{10d} (10 % load)	100 000
T_M	max. 20 years
Connection	screw connection terminals emergency-stop: spade connection 2.8 x 0.8 mm
Cable entry	1 x M20 x 1.5
Contact material	silver
Switching system	snap action, positive break NC contacts \ominus
Switch insert	1 x ZS 232
Utilisation category	AC-15; DC-13
Conditional short-circuit current	1000 A
Rated operating current/voltage I_e/U_e	4 A/230 VAC; 2,5 A/400 VAC; 1 A/500 VAC emergency-stop push button: 3 A/250 VAC
Short-circuit protection	4 A gG/gN fuse
Ambient temperature	-25 °C ... +80 °C
Mechanical life	> 50 000 operations
Approvals	ERC
Weight	1300 g

Errors and omissions excepted.

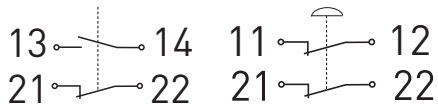


Foot switch with metal enclosure

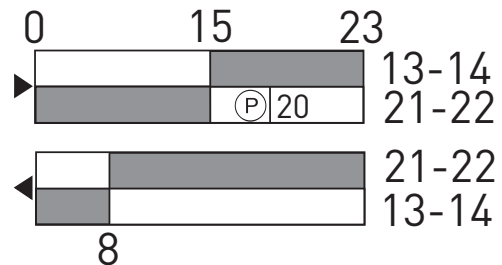
GF5M 1Ö/1S NA 2Ö

Material number: 1183115 (Material number old: 81202920)

Contact diagram



Switching diagram



Ⓟ Positive break travel/angle