



Ex solenoid interlock Ex AZM 415 1Ö1S/1Ö1S R-FE Material number: 1181881 (Material number old: 94353306)

Features/Options:

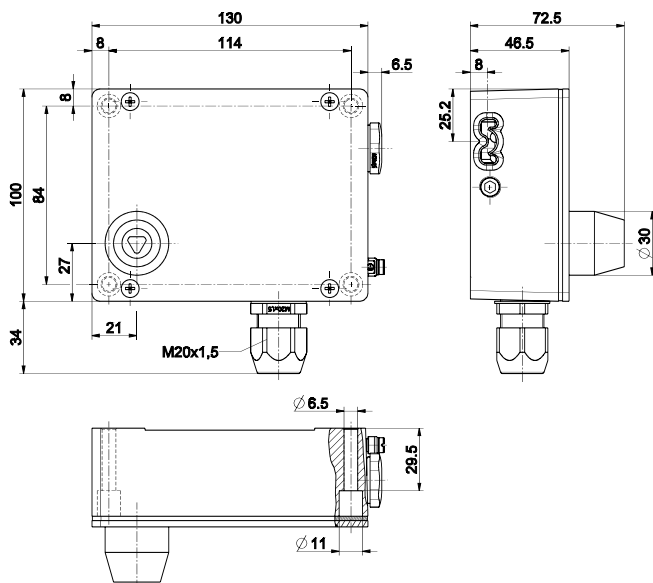
- Ex zone 1 and 21
- Two Ex switch inserts in one enclosure
- Spring-to-lock principle
- Problem-free opening of stressed doors by means of bell-crank system
- High locking force 3500 N
- Ball catch

Notes

- The actuator is not included in the delivery of the switches
- 1 additional cable gland M20x1.5 is included in delivery

- Wiring compartment
- With auxiliary unlocking for service, maintenance, etc.
- Unlocking with M5 triangular key
- Attention: Please state required international approvals with your order!

Dimensions



Technical data

Applied standards	EN 60947-5-1, EN ISO 14119, EN 60079-0, EN 60079-1, EN 60079-7, EN 60079-18, EN 60079-31, EN ISO 13849-1
Enclosure	aluminium die-cast, enamel finish
Cover	aluminium, enamel finish
Switch type	type 2
Coding level	low coding
Tightening torque	cover screws: 0.5 ... 0.6 Nm switch inserts M3 screw connection terminals: min. 0.6 Nm
Degree of protection	IP 64 to IEC/EN 60529
B_{10d} (10 % load)	2 million
T_M	max. 20 years
Switch insert	2 x Ex 95
Contact material	silver
Switching system	slow action, positive break NC contacts \ominus
Switching elements	1 NC/1 NO contact + 1 NC/1 NO contact
Connection	screw connection terminals
Cable cross-section	min. 0.2 mm ² / AWG 24, max. 1.5 mm ² / AWG 16
Cable entry	2 x M20 x 1.5 (incl. 1 cable gland)
Clamping range	7 ... 12 mm

Errors and omissions excepted.



Ex solenoid interlock
Ex AZM 415 1Ö1S/1Ö1S R-FE
Material number: 1181881 (Material number old: 94353306)

Technical data

Rated impulse withstand voltage U_{imp}	4 kV
Rated insulation voltage U_i	250 V
Conventional thermal current I_{the}	6 A
Utilisation category	AC-15; DC-13
Rated operating current/voltage I_e/U_e	enabling/signalling contacts: 6 A/250 VAC; 0.25 A/230 VDC; direct-current solenoid: 0.08 A / 24 VDC $\pm 10\%$
Short-circuit protection	6 A gG/gN fuse; direct-current solenoid: 2 A (slow blow)
Power consumption	max. 12 W (0.25 s)
Ambient temperature	T6: $-20\text{ }^\circ\text{C} \dots +40\text{ }^\circ\text{C}$; T5: $-20\text{ }^\circ\text{C} \dots +55\text{ }^\circ\text{C}$
Operation cycles	max. 1200/h
Drop-out delay	< 50 ms
Mechanical life	> 1 million operations
Locking force F_{max}	3500 N
Locking force of integrated ball 50 - 200 N, adjustable catch	
Impact energy	max. 7 J
Ex marking	II 2G Ex demb IIC T6/T5 Gb, II 2D Ex tb IIIC T80 °C/T95 °C Db IP67/64 IECEX Ex demb IIC T6/T5 Gb, Ex tb IIIC T80 °C/T95 °C Db IP67/64
Approvals	DMT 02 ATEX E 255 X IECEX BVS 07.0018X
Weight	1150 g

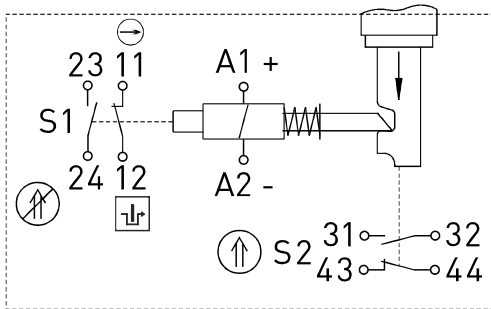


Ex solenoid interlock

Ex AZM 415 1Ö1S/1Ö1S R-FE

Material number: 1181881 (Material number old: 94353306)

Contact diagram



⊖ positive break

⬆ actuated

⊘ not actuated

⊞ monitoring of the guard-lock to EN ISO 14119