



## Magnetic sensor

RC 13,5 1S-1m

Material number: 1269816 (Material number old: 21320102)

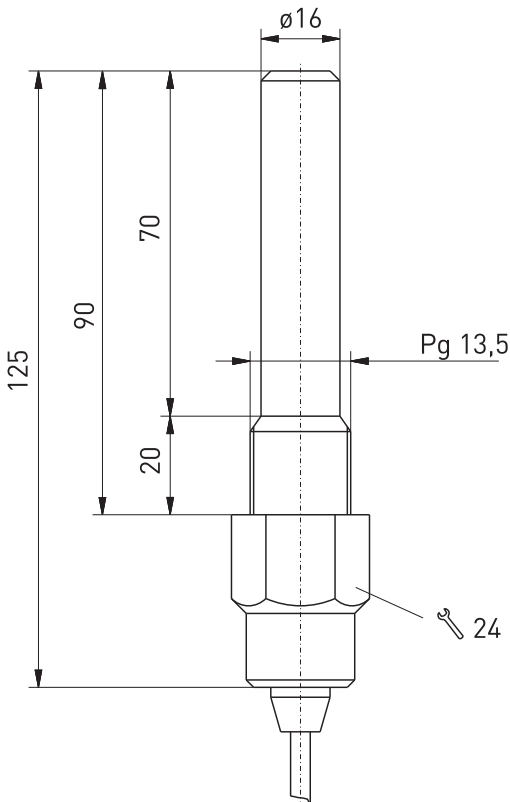
### Features/Options:

- Metal enclosure
- Long life
- 1 Reed contact
- Actuation from front
- Switching distance up to 30 mm depending on the actuating magnet
- With pre-wired cable

### Notes

- 2 mounting nuts are included in delivery
- The actuator is not included in the delivery of the switches

### Dimensions



### Technical data

Applied standards	EN 60947-5-2
Enclosure	brass, nickel
Degree of protection	IP 67 to IEC/EN 60529
Switching system	reed contacts
Switching elements	1 NO contact
Connection	pre-wired cable H05VV-F
Cable cross-section	2 x 0.75 mm <sup>2</sup>
Cable length	1 m
Switching voltage	max. 250 VAC/DC
Switching current	max. 3 A DC / max. 2.1 A AC
Switching capacity	max. 100 W/VA
Ambient temperature	-10 °C ... +80 °C
Mechanical life	10 <sup>9</sup> operations
Repeatability	± 0.02 mm
Vibration resistance	max. 30 g
Weight	232 g

Errors and omissions excepted.

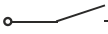


Magnetic sensor

RC 13,5 1S-1m

Material number: 1269816 (Material number old: 21320102)

Contact diagram

BU  BN