



## Pull-wire switch

ZS 71 1Ö/1S / 200 N

Material number: 1048083 (Material number old: 71141910)

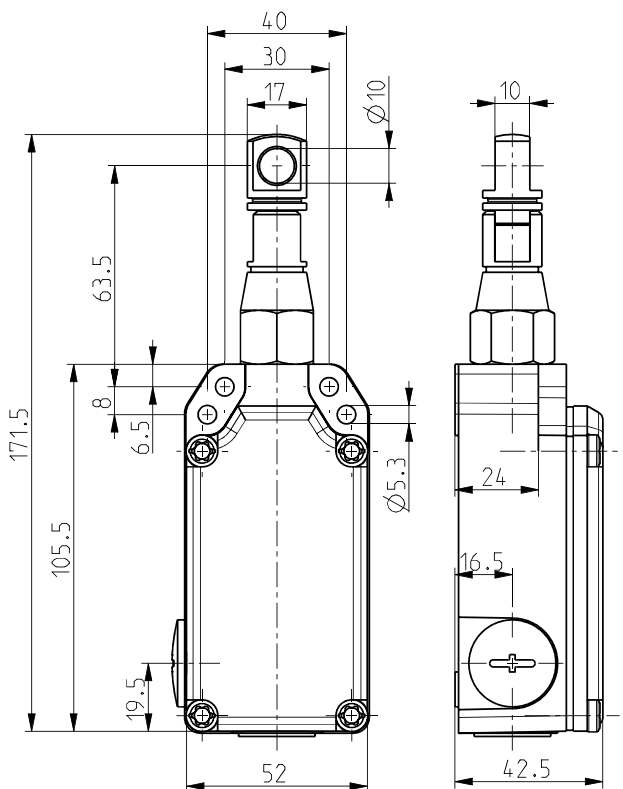
### Features/Options:

- Metal enclosure
- 2 contacts
- Compact design
- Wire length up to 20 m
- Spring force variant: 200 N
- Wire pull and breakage detection
- Without mechanical latching

### Notes

- At 3 m distance intermediate wire supports are required. One wire thimble is provided.

### Dimensions



### Technical data

|   |   |
|---|---|
| Applied standards                         | EN 60947-5-1, EN ISO 13849-1, GS-ET-15  |
| Enclosure                                 | aluminium die-cast, powder-coated   |
| Cover                                     | thermoplastic, glass-fibre reinforced, impact resistant, self-extinguishing UL 94 V-0 |
| Degree of protection                      | IP 65 to IEC/EN 60529   |
| $B_{10d}$ (10 % load)                     | 2 million   |
| $T_M$                                     | max. 20 years   |
| Contact material                          | silver  |
| Switching system                          | snap action, positive break NC contacts $\ominus$                                     |
| Switching elements                        | 1 NC/1 NO contact   |
| Connection                                | screw connection terminals  |
| Cable cross-section                       | max. 2.5 mm <sup>2</sup> (incl. conductor ferrules)                                   |
| Cable entry                               | 2 x M20 x 1.5   |
| Rated impulse withstand voltage $U_{imp}$ | 6 kV  |
| Rated insulation voltage $U_i$            | 400 V   |
| Conventional thermal current $I_{the}$    | 6 A   |
| Utilisation category                      | AC-15   |
| Rated operating current/voltage $I_e/U_e$ | 6 A/400 VAC   |
| Short-circuit protection                  | 6 A gG/gN fuse  |
| Ambient temperature                       | -25 °C ... +70 °C   |
| Mechanical life                           | > 1 million operations  |

Errors and omissions excepted.



## Pull-wire switch

ZS 71 1Ö/1S / 200 N

Material number: 1048083 (Material number old: 71141910)

### Technical data

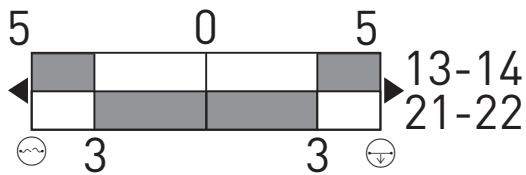
Max. wire length 20 m

Approvals



Weight 360 g

### Switching diagram



- Wire breakage detection
- Wire pull detection

### Contact diagram

