

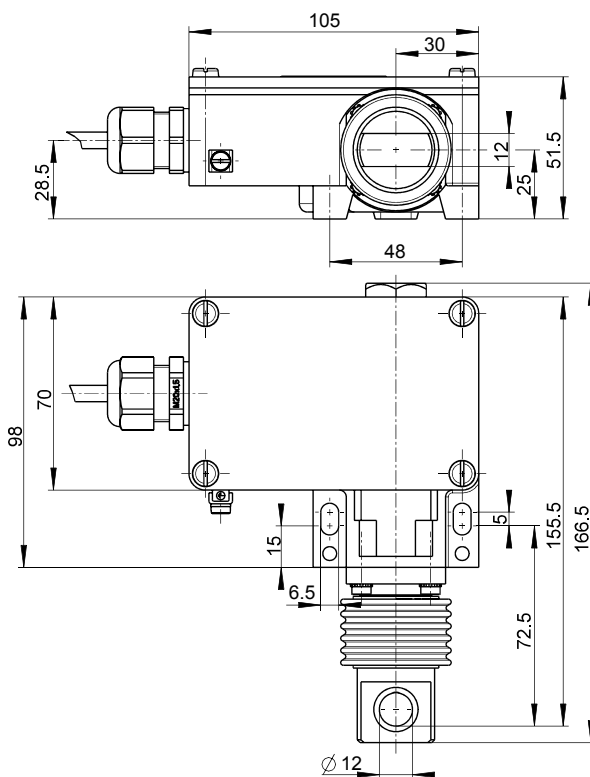


Ex anti-two-block switch Ex ZS 73 1Ö/1S W HES 5m 120N -40°C Niro Material number: 1401136

Features/Options:

- Ex zone 1 and 21
- Pull-wire unit made of stainless steel 1.4404, hard-coated housing, cover made of stainless steel 1.4404, screws A2
- Cold-resistant down to -40 °C
- High degree of protection IP 66 / IP 67
- Watertight collar W for protection against penetration of dirt
- 2 contacts
- Tractive force 120 N (counterweight of min. 12 kg to pretension anti-two-block switch)
- For limiting the hoist height

Dimensions



Technical data

Applied standards	EN 60947-5-1, EN 60079-0, EN 60079-1, EN 60079-31
Enclosure	aluminium die-cast, hard-coated, powder-coated, anthracite grey, similar to RAL 7016
Cover	stainless steel 1.4404, powder-coated, signal yellow, similar to RAL 1003
Degree of protection	IP 66/67 to IEC/EN 60529
B _{10d} (10 % load)	2 million
T _M	max. 20 years
Contact material	silver, gold-plated
Switching elements	1 NC/1 NO contact, type Zb
Switching system	slow action
Connection	cable BETAflam 145 flex
Cable cross-section	4 x 0.75 mm ² (incl. conductor ferrules)
Cable length	5 m
Rated impulse withstand voltage U _{imp}	4 kV
Rated insulation voltage U _i	250 V
Conventional thermal current I _{the}	T6: 6 A, T5: 3 A
Utilisation category	AC-15; DC-13
Rated operating current/voltage I _e /U _e	6 A/250 VAC; 0.25 A/230 VDC
Short-circuit protection	6 A gG/gN fuse
Ambient temperature	T6: -40 °C ... +65 °C, T5: -40 °C ... +75 °C, +90 °C with max. 3 A
Mechanical life	> 1 million operations

Errors and omissions excepted.

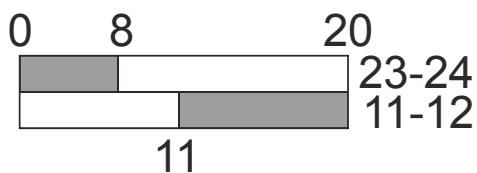


Ex anti-two-block switch
Ex ZS 73 1Ö/1S W HES 5m 120N -40°C Niro
Material number: 1401136

Technical data

Impact energy	max. 7 J
Ex marking	⊕ II 2G Ex d IIC T6/T5 Gb, ⊕ II 2D Ex tb IIIC T80 °C/T95 °C Db IECEX Ex d IIC T6/T5 Gb, Ex tb IIIC T80 °C/T95 °C Db
Approvals	PTB 11 ATEX 1003 X IECEX PTB 07.0034 X
Weight	1374 g

Switching diagram



Contact diagram

