



## Position switch Extreme ES 41 D 2Ö -35°C Extreme

Material number: 1046541 (Material number old: 41521901)

### Features/Options:

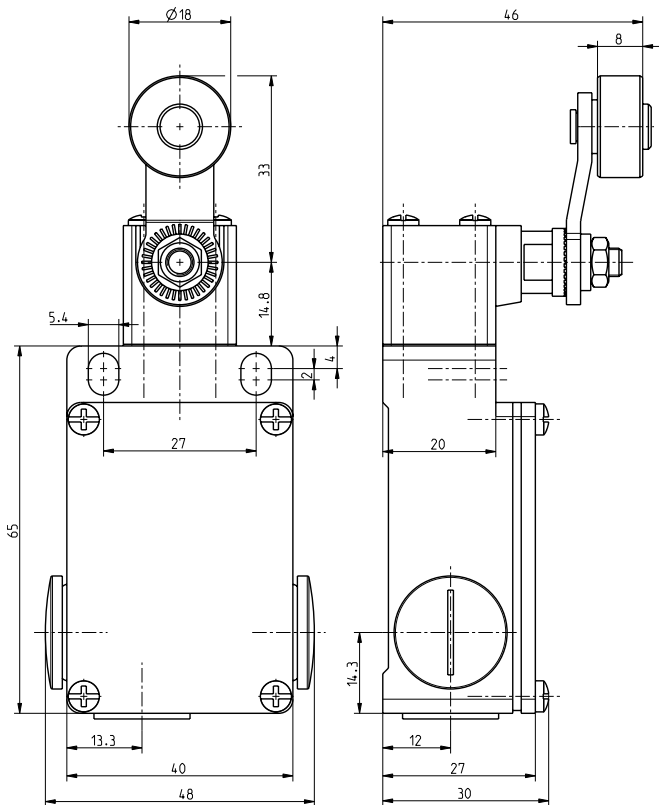
- Metal enclosure
- 2 NC contacts
- 3 cable entries M16 x 1.5
- Cold-resistant down to -35 °C
- Locking screws, brass nickel-plated
- Actuator: Rocking lever D
- Actuating speed max. 0.5 m/s with a vertical actuating angle of 45°

- Wear-resistant plastic roller
- Lever can be repositioned in 10° steps clockwise or counter-clockwise
- Actuator can be repositioned by 180°
- Attention: Please state required international approvals with your order!

### Notes

- With metal roller available on request

### Dimensions



### Technical data

Applied standards	EN 60947-5-1
Enclosure	aluminium die-cast, powder-coated
Cover	steel, powder-coated
Degree of protection	IP 65 to IEC/EN 60529
Contact material	silver
Switching system	slow action
Switching elements	2 NC contacts, type Zb
Connection	screw connection terminals
Cable cross-section	max. 2.5 mm <sup>2</sup> (incl. conductor ferrules)
Cable entry	3 x M16 x 1.5
Rated impulse withstand voltage $U_{imp}$	4 kV
Rated insulation voltage $U_i$	400 V
Conventional thermal current $I_{the}$	6 A
Utilisation category	AC-15
Rated operating current/voltage $I_e/U_e$	6 A/400 VAC
Short-circuit protection	6 A gG/gN fuse
Mechanical life	> 1 million operations
Operation cycles	max. 1800/h
Ambient temperature	-35 °C ... +80 °C

Errors and omissions excepted.



## Position switch Extreme ES 41 D 2Ö -35°C Extreme

Material number: 1046541 (Material number old: 41521901)

### Technical data

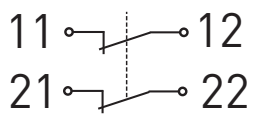
Approvals



Weight

210 g

### Contact diagram



### Switching diagram

