



## Wireless magnetic sensor RF RC 10 SW868 Material number: 1271243

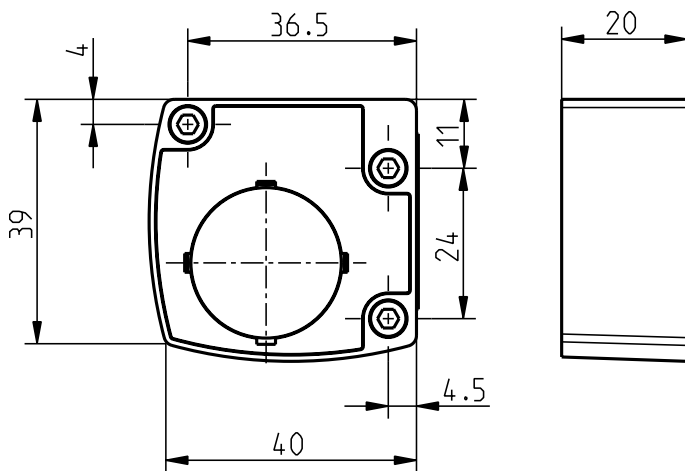
### Features/Options:

- Thermoplastic enclosure
- sWave® wireless technology
- No wiring and pipe laying required

### Notes

- The actuator is not included in the delivery of the switches

### Dimensions



### Technical data

|                                |   |
|--------------------------------|---|
| Applied standards              | EN 60947-5-1, EN 61000-6-2, EN 61000-6-3, EN 301 489-1, EN 301 489-3, EN 300 220-2    |
| Enclosure                      | thermoplastic, glass-fibre reinforced, impact resistant, self-extinguishing UL 94 V-0 |
| Tightening torque              | enclosure mounting screws: 0.5 ... 0.6 Nm   |
| Degree of protection           | IP 67 to IEC/EN 60529   |
| Protocol                       | sWave®  |
| Frequency                      | 868.3 MHz (Europe, China)   |
| Transmission power             | < 25 mW   |
| Data rate                      | 66 kbps   |
| Channel bandwidth              | 480 kHz   |
| Voltage supply                 | lithium battery CR 2032 (replaceable)   |
| System                         | Lithium-MnO <sub>2</sub>  |
| Nominal voltage                | 3 V   |
| Nominal capacity               | 0.23 Ah   |
| Battery life                   | > 800 000 operations  |
| Ambient temperature            | -20 °C ... +65 °C   |
| Switching system               | reed contacts   |
| Rated switching distance $s_n$ | 10 mm   |
| Hysteresis                     | approx. 1 mm  |
| Operation cycles               | max. 12000 telegrams with repetitions/h   |
| Wireless range                 | max. 450 m outdoors, max. 40 m indoors  |
| Mechanical life                | > 1 million operations  |

Errors and omissions excepted.



Wireless magnetic sensor  
RF RC 10 SW868  
Material number: 1271243

## Technical data

|                    |  |
|--------------------|--|
| Actuating time     | min. 80 ms   |
| Mounting           | actuator: min. 8 mm distance to ferromagnetic material |
| Note               | no status signal available                             |
| Wireless approvals | Europe: RED 2014/53/EU                                 |
| Weight             | 28 g   |