



Foot switch with thermoplastic enclosure

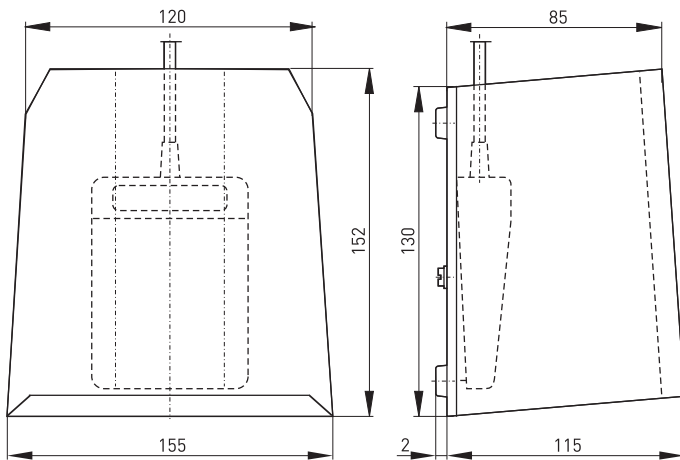
KFS 1S - 5m

Material number: 1049377 (Material number old: 88257907)


Features/Options:

- With pre-wired cable
- With metal protective shield
- 1 Reed contact (1 NO contact)
for low currents from 1 mA to 1 A
- Thermoplastic enclosure

Dimensions



Technical data

Applied standards	EN 60947-5-1
Enclosure	thermoplastic, glass-fibre reinforced, impact resistant, self-extinguishing UL 94 V-0
Pedal	thermoplastic, glass-fibre reinforced, impact resistant, self-extinguishing UL 94 V-0
Protective shield	steel, enamel finish
Degree of protection	IP 65 to IEC/EN 60529
Connection	cable 2 x AWG 20
Cable length	5 m
Cable diameter	4.7 mm ±3%
Cable cross-section	2 x 0.52 mm ²
Switching system	reed contacts
Switching elements	1 NO contact
Switching voltage	12 ... 250 VAC/DC
Switch-on current	max. 1 A
Switch-on power	max. 30 VA
Ambient temperature	-10 °C ... +60 °C
Mechanical life	> 1 million operations
Approvals	
Weight	1000 g

Errors and omissions excepted.



Foot switch with thermoplastic enclosure

KFS 1S - 5m

Material number: 1049377 (Material number old: 88257907)

Contact diagram

