



## Ex position switch with safety function

### Ex 355 1K 1S/1Ö UE

Material number: 1188259 (Material number old: 92213301)

#### Features/Options:

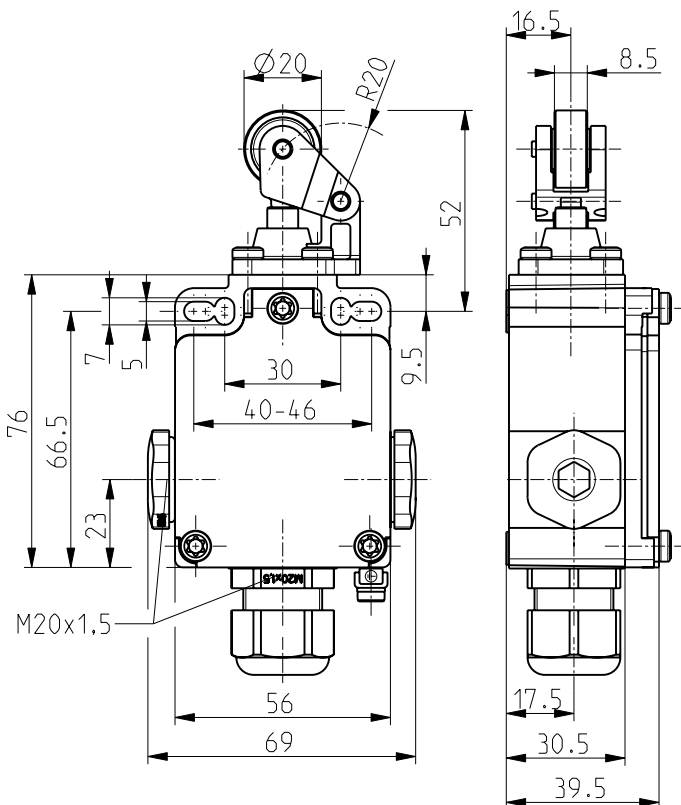
- Ex zone 1 and 21
- Metal enclosure
- Mounting and switching details to EN 50041
- Wiring compartment
- 3 cable entries
- Actuator: Roller lever 1K
- Actuating speed max. 0.5 m/s with a vertical actuating angle of 30°

- Actuation parallel to switch from right
- Wear-resistant plastic roller
- Actuator can be repositioned by 4 x 90°
- Attention: Please state required international approvals with your order!

#### Notes

- Actuation from the left should be avoided since this reduces the mechanical life of the position switch.

#### Dimensions



#### Technical data

Applied standards	EN 60947-5-1, EN 60079-0, EN 60079-1, EN 60079-7, EN 60079-31, EN ISO 13849-1, EN ISO 14119
Enclosure	zinc die-cast, enamel finish
Switch type	type 1
Coding level	no coding
Degree of protection	IP 67 to IEC/EN 60529
B <sub>10d</sub> (10 % load)	2 million
T <sub>M</sub>	max. 20 years
Switch insert	1 x Ex 95
Contact material	silver
Switching system	slow action, positive break NC contacts $\ominus$
Switching elements	1 NC/1 NO contact with contact overlapping, type Zb
Connection	screw connection terminals
Cable cross-section	max. 1.5 mm <sup>2</sup> (incl. conductor ferrules)
Cable entry	3 x M20 x 1.5 (incl. 1 cable gland)
Clamping range	7 ... 12 mm
Rated impulse withstand voltage U <sub>imp</sub>	4 kV
Rated insulation voltage U <sub>i</sub>	250 V

Errors and omissions excepted.



## Ex position switch with safety function

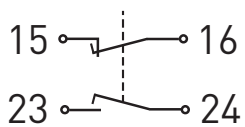
Ex 355 1K 1S/1Ö UE

Material number: 1188259 (Material number old: 92213301)

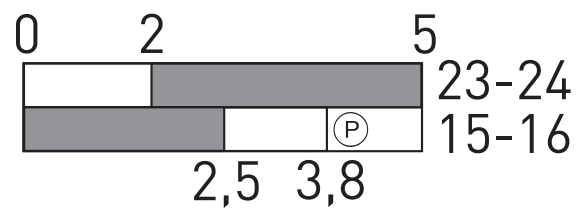
### Technical data

Conventional thermal current $I_{the}$	6 A
Rated operating current/voltage $I_e/U_e$	6 A/250 VAC; 0.25 A/230 VDC
Utilisation category	AC-15; DC-13
Short-circuit protection	6 A gG/gN fuse
Ambient temperature	T6: -20 °C ... +40 °C; T5: -20 °C ... +60 °C
Mechanical life	> 1 million operations
Operation cycles	max. 1800/h
Repeat accuracy of switching points	± 0.1 mm
Contact opening	max. 2 x 3.5 mm
Impact energy	max. 7 J
Ex marking	⊕ II 2G Ex db e IIC T6/T5 Gb, ⊕ II 2D Ex tb IIIC T80 °C/T95 °C Db IECEX Ex db e IIC T6/T5 Gb, Ex tb IIIC T80 °C/T95 °C Db
Approvals	BVS 04 ATEX E 126 IECEX BVS 07.0013
Weight	460 g

### Contact diagram



### Switching diagram



Ⓟ Positive break travel/angle