



Ex solenoid interlock Ex STM 298 11/02 A-3G/D Material number: 1279434

Features/Options:

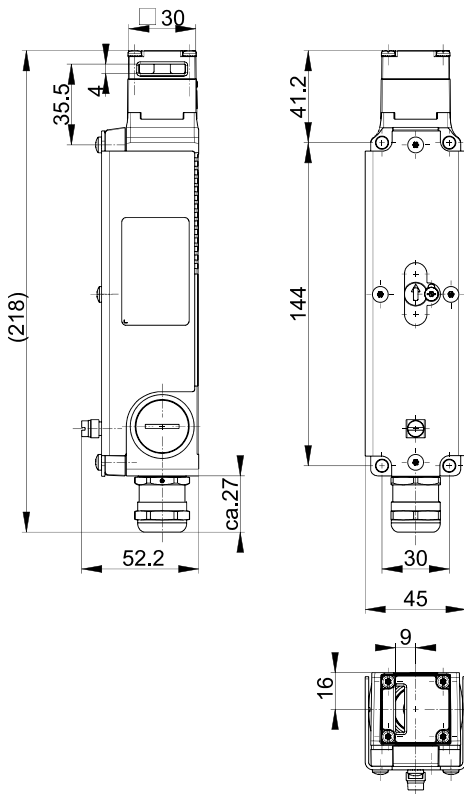
- Ex zone 2 and 22
- Metal enclosure
- Power-to-lock principle

Notes

- 1 ATEX cable gland is included in delivery
- The actuator is not included in the delivery of the switches

- With auxiliary unlocking for service, maintenance, etc.
- Wiring compartment

Dimensions



Technical data

Applied standards	EN 60947-5-1, EN 60079-0, EN 60079-15, EN 60079-31, EN ISO 13849-1, EN ISO 14119
Enclosure	die-cast alloy
Switch type	type 2
Coding level	low coding
Degree of protection	IP 67 to IEC/EN 60529
B _{10d} (10 % load)	12 million
Mechanical life	1x10 ⁶ operations
Ambient temperature	-20 °C ... +75 °C
Degree of pollution	3
Mounting position	any
Actuating speed V	max. 20 m/min
Extraction force (not locked)	30 N
Retention force	20 N
Actuating force	max. 35 N
Operation cycles	max. 1200/h
Switching system	slow action
Switching elements	1 NC/1 NO contact + 2 NC
Contact material	Silver, gold flashed
Cable entry	3 x M20 x 1.5 (incl. 1 cable gland)
Clamping range	6,5 ... 12 mm
Cable cross-section	0.34 ... 1.5 mm ² (flexible/fixed)
Rated insulation voltage U _i	50 V

Errors and omissions excepted.

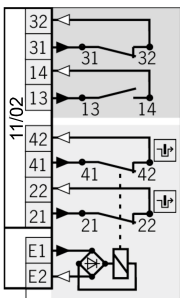


Ex solenoid interlock
 Ex STM 298 11/02 A-3G/D
 Material number: 1279434

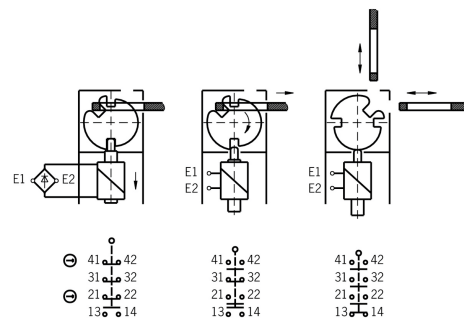
Technical data

Rated impulse withstand voltage U_{imp}	2.5 kV
Conditional short-circuit current	100 A
Switching voltage	min. 12 V at 10 mA
Utilisation category	AC-15; DC-13
Rated operating current/voltage I_e/U_e	4 A/50 VAC; 4 A/24 VDC
Switching current	min. 1 mA at 24 V
Short-circuit protection	4 A gG fuse (IEC 60269-1)
Conventional thermal current I_{the}	4 A
Solenoid operating voltage U_s	24 VDC (+10%/-15%)
Power consumption	8 W
Switch-on time ED	100 %
Locking force F_{max}	actuator straight: 3000 N actuator angled: 1500 N actuator flexible: 3000 N
Locking force F_{Zh}	$(F_{Zh} = F_{max}/1.3) = 2300$ N
Impact energy	max. 7 J
Ex marking	II3G Ex nR IIB T4 Gc X II3D Ex tc IIIC T110°C Dc X
Weight	887 g

Contact diagram



Switching functions

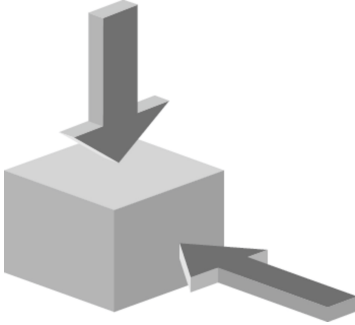


Errors and omissions excepted.



Ex solenoid interlock
Ex STM 298 11/02 A-3G/D
Material number: 1279434

Approach direction



Horizontal and vertical
Can be adjusted in 90° steps