



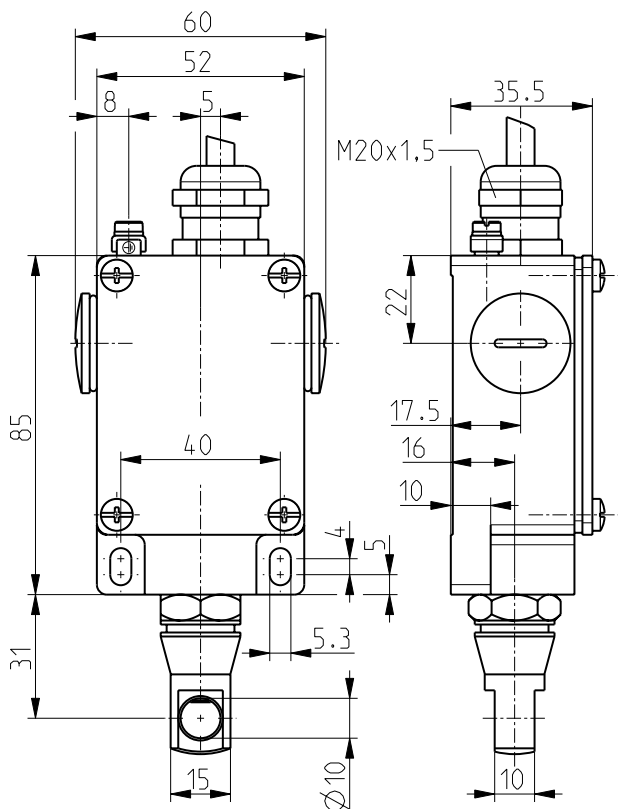
Ex pull-wire switch Ex 61 Z 1Ö/1S - 3m

Material number: 1047827 (Material number old: 61041301)

Features/Options:

- Ex zone 1 and 21
- Metal enclosure
- Wall mounting
- 2 contacts
- Pull-wire function
- Attention: Please state required international approvals with your order!

Dimensions



Technical data

Applied standards	EN 60947-5-1, EN 60079-0, EN 60079-1, EN 60079-31, EN ISO 13849-1
Enclosure	aluminium die-cast, powder-coated
Cover	steel, powder-coated
Degree of protection	IP 65 to IEC/EN 60529
B _{10d} (10 % load)	2 million
T _M	max. 20 years
Switch insert	1 x Ex 14
Contact material	silver
Switching system	slow action
Switching elements	1 NC/1 NO contact, type Zb
Connection	pre-wired cable H05VV-F
Cable cross-section	4 x 0.75 mm ² (incl. conductor ferrules)
Cable length	3 m
Rated impulse withstand voltage U _{imp}	4 kV
Rated insulation voltage U _i	250 V
Conventional thermal current I _{the}	T6: 6 A, T5: 3 A
Rated operating current/voltage I _e /U _e	6 A/250 VAC, 0.25 A/230 VDC, 3 A/24 VDC, T > 65 °C: 3 A/250 VAC; 4 A/24 VDC
Utilisation category	AC-15; DC-13
Short-circuit protection	6 A gG/gN fuse
Ambient temperature	T6: -20 °C ... +65 °C, T5: -20 °C ... +75 °C, +90 °C with max. 3 A
Mechanical life	> 1 million operations

Errors and omissions excepted.



Ex pull-wire switch
Ex 61 Z 1Ö/1S - 3m

Material number: 1047827 (Material number old: 61041301)

Technical data

Operation cycles max. 1800/h

Repeat accuracy of switching points ± 0.1 mm

Impact energy max. 7 J

Ex marking
 II 2G Ex db IIC T6/T5 Gb,
 II 2D Ex tb IIIC
T80 °C/T95 °C Db
IECEX Ex db IIC T6/T5 Gb,
Ex tb IIIC T80 °C/T95 °C Db

Approvals
PTB 03 ATEX 1070 X *
IECEX PTB 06.0098X *

US* referring to the switch insert

Weight 590 g

Switching diagram

