



Ex magnetic sensor

Ex RC M20 1W-B - 5m - NIRO

Material number: 1189539 (Material number old: 22033508)

Features/Options:

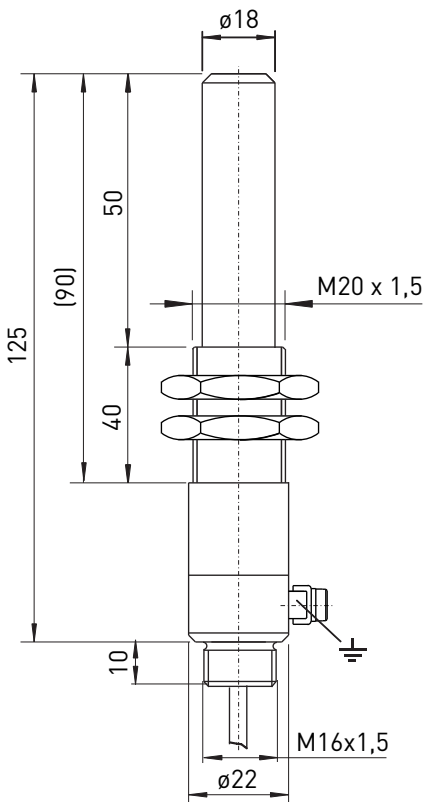
- Ex zone 1 and 21
- Brass enclosure, nickel
- Actuation from front
- Switching distance up to 30 mm depending on the actuating magnet

- With pre-wired cable
- With mounting thread M16 x 1.5 for cable protection system
- Attention: Please state required international approvals with your order!

Notes

- 2 mounting nuts are included in delivery
- The actuator is not included in the delivery of the switches

Dimensions



Technical data

Applied standards	EN 60947-5-2, EN 60079-0, EN 60079-18
Enclosure	brass, nickel
Degree of protection	IP 67 to IEC/EN 60529
Switching system	reed contacts
Switching elements	1 change-over contact
Connection	pre-wired cable H05VV-F
Cable cross-section	4 x 0.75 mm ²
Cable length	5 m
Switching voltage	max. 250 VAC/DC
Switching current	max. 0.5 A DC / max. 0.35 A AC
Short-circuit current I _k	max. 2 A
Switching capacity	max. 30 W/VA
Bounce duration	max. 4.5 ms
Ambient temperature	-20 °C ... +70 °C
Mechanical life	> 1 million operations
Vibration resistance	max. 15 g
Impact energy	max. 7 J
Ex marking	<p>Ex II 2G Ex mb IIC T6 Gb,</p> <p>Ex II 2D Ex mb IIIC T80 °C Db</p> <p>IECEX Ex mb IIC T6 Gb</p> <p>Ex mb IIIC T80 °C Db</p>
Approvals	DMT 01 ATEX E 058 X IECEX BVS 07.0007 X



Errors and omissions excepted.



Ex magnetic sensor

Ex RC M20 1W-B - 5m - NIRO

Material number: 1189539 (Material number old: 22033508)

Technical data

Weight

642 g

Contact diagram

