



## Multi-function handle

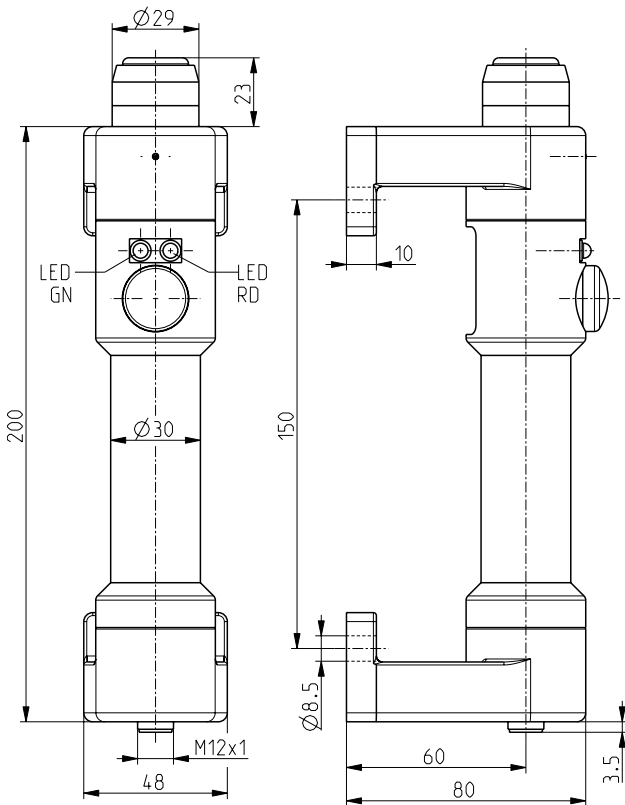
### TG-S GR x SG

Material number: 1032295 (Material number old: 97955902)

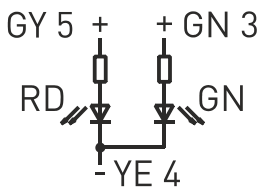
#### Features/Options:

- Thermoplastic handle
- Long life
- Green enlightened start push button: 1 NO contact, glow lamp
- Green and red LED
- Green enabling push button: 1 NO contact
- With plug-in connector M12 x 1, 8-pole

#### Dimensions



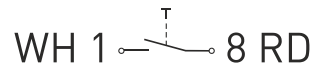
#### Contact diagram LEDs



#### Technical data

Applied standards	EN 60947-5-1
Enclosure	POM, glass-fibre reinforced, impact resistant
Degree of protection	IP 65 to IEC/EN 60529
Connection	Plug-in connector, A-coded
Rated operating current/voltage $I_e/U_e$	0.6 A/28 VDC LEDs: 10 mA/24 VDC
Rated insulation voltage $U_i$	30 VDC
Rated switching capacity	max. 0.6 W
Degree of pollution	3
Mechanical life	> 1 million operations
Ambient temperature	-25 °C ... +55 °C
Weight	395 g

#### Contact diagram enabling push-button



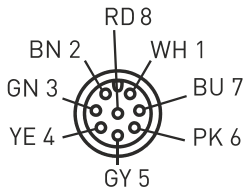


## Multi-function handle

TG-S GR x SG

Material number: 1032295 (Material number old: 97955902)

Plug-in configuration (view from plug side)



Contact diagram enlightened start push-button

