



Position switch Extreme with safety function

ES 41 W 1Ö/1S +180°C Extreme

Material number: 1046273 (Material number old: 41002906)

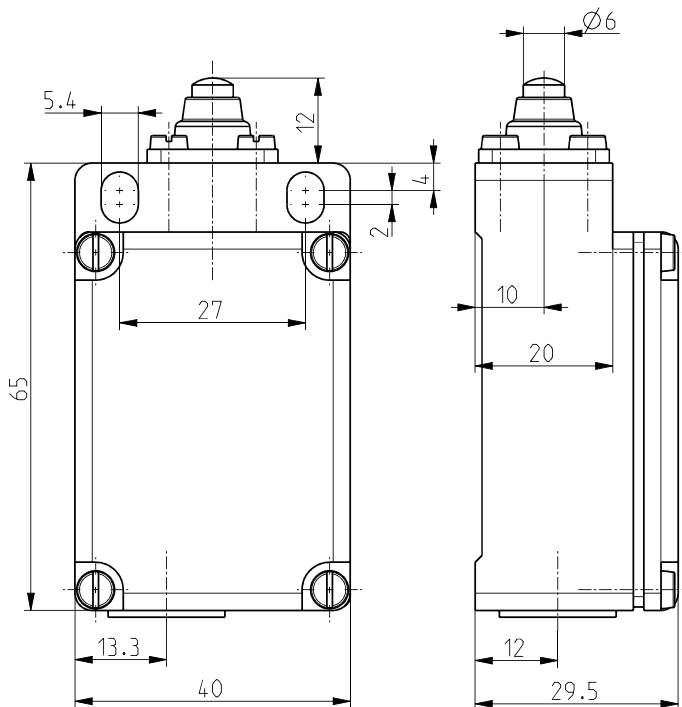
Features/Options:

- Metal enclosure
- 2 contacts
- 1 cable entry M16 x 1.5
- Heat-resistant up to +180 °C
- Locking screws, brass nickel-plated
- Actuator: Plunger with collar W
- Actuating speed max. 0.5 m/s with a vertical actuating angle of 0°
- Exact repeatability of switching point
- Watertight collar for protection against penetration of dirt
- Attention: Please state required international approvals with your order!

Notes

- When used as safety switch, secure the enclosure against slipping with appropriate means, e.g. pinning.

Dimensions



Technical data

Applied standards	EN ISO 13849-1, EN 60947-5-1, EN ISO 14119
Enclosure	aluminium die-cast, powder-coated
Cover	aluminium die-cast, powder-coated
Switch type	type 1
Coding level	no coding
Degree of protection	IP 65 to IEC/EN 60529
B_{10d} (10 % load)	2 million
T_M	max. 20 years
Contact material	silver
Switching system	slow action, positive break NC contacts \ominus
Switching elements	1 NC/1 NO contact, type Za
Connection	screw connection terminals
Cable cross-section	max. 2.5 mm ² (incl. conductor ferrules)
Cable entry	1 x M16 x 1.5
Rated impulse withstand voltage U_{imp}	4 kV
Rated insulation voltage U_i	400 V
Conventional thermal current I_{the}	6 A
Utilisation category	AC-15
Rated operating current/voltage I_e/U_e	6 A/400 VAC

Errors and omissions excepted.



Position switch Extreme with safety function

ES 41 W 1Ö/1S +180°C Extreme

Material number: 1046273 (Material number old: 41002906)

Technical data

Short-circuit protection 6 A gG/gN fuse

Mechanical life > 1 million operations

Operation cycles max. 1800/h

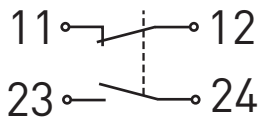
Ambient temperature -20 °C ... +180 °C

Approvals

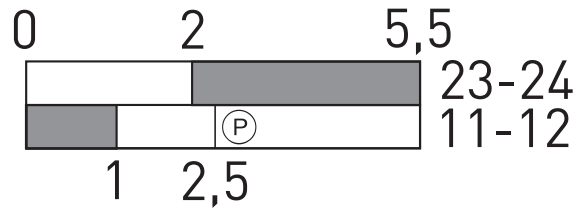


Weight 122 g

Contact diagram



Switching diagram



Ⓟ Positive break travel/angle