



## Ex position switch with safety function

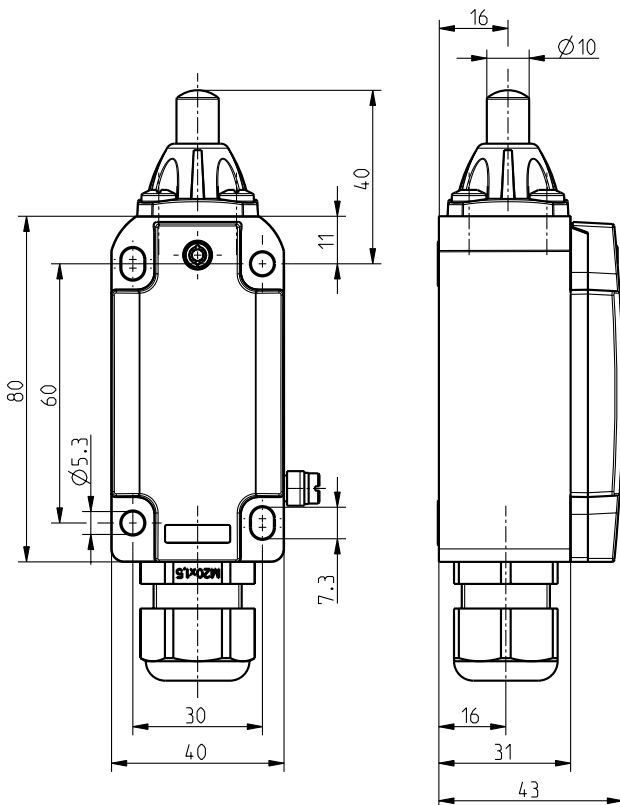
Ex ES 98-11-3G/D

Material number: 1454685

### Features/Options:

- Ex zone 2 and 22
- Metal enclosure
- Design to EN 50041
- Wiring compartment
- Actuator: Plunger
- Actuator type B to EN 50041
- Actuating speed max. 0.5 m/s with a vertical actuating angle of 0°

### Dimensions



### Technical data

|  |  |
|--|--|
| Applied standards                                | EN 60947-5-1, EN 60079-0, EN 60079-1, EN 60079-7, EN 60079-31, EN ISO 13849-1, EN ISO 14119    |
| Enclosure  | aluminium die-cast, corrosion-resistant, powder-coated, anthracite grey, similar to RAL 7016   |
| Cover  | aluminium die-cast, powder-coated, signal yellow, similar to RAL 1003                          |
| Sealing  | silicone   |
| Switch type                                      | type 1   |
| Coding level                                     | no coding  |
| Degree of protection                             | IP 67 to IEC/EN 60529  |
| B <sub>10d</sub> (10 % load)                     | 2 million  |
| T <sub>M</sub>                                   | max. 20 years  |
| Contact material                                 | silver   |
| Switching system                                 | slow action, positive break NC contacts ⊖  |
| Switching elements                               | 1 NC/1 NO contact, type Zb   |
| Connection                                       | screw connection terminals   |
| Cable cross-section                              | min. 0.5 mm <sup>2</sup> / AWG 24, max. 1.5 mm <sup>2</sup> / AWG 16, incl. conductor ferrules |
| Cable entry                                      | 1 x M20 x 1.5 (incl. 1 cable gland)  |
| Clamping range                                   | 7 ... 13 mm  |
| Rated impulse withstand voltage U <sub>imp</sub> | 4 kV   |
| Rated insulation voltage U <sub>i</sub>          | 250 V  |
| Conventional thermal current I <sub>the</sub>    | 6 A  |

Errors and omissions excepted.



## Ex position switch with safety function

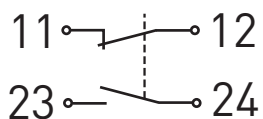
Ex ES 98-11-3G/D

Material number: 1454685

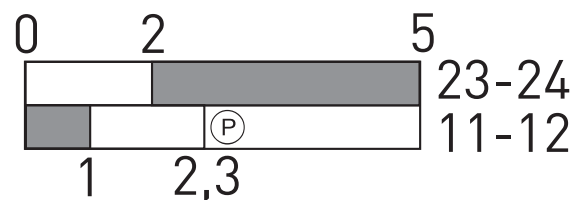
### Technical data

|   |   |
|---|---|
| Rated operating current/<br>voltage $I_e/U_e$ | 2 contacts:<br>6 A/250 VAC; 0.25 A/230 VDC<br>3 contacts:<br>1.5 A/250 VAC; 0.2 A/250 VDC |
| Utilisation category                          | AC-15; DC-13  |
| Short-circuit protection                      | 6 A gG/gN fuse  |
| Ambient temperature                           | T6: -20 °C ... +40 °C;<br>T5: -20 °C ... +60 °C   |
| Mechanical life                               | > 1 million operations  |
| Operation cycles                              | max. 1800/h   |
| Repeat accuracy of switching<br>points        | ± 0.1 mm  |
| Impact energy                                 | max. 7 J  |
| Ex marking                                    | ⊕ II 3G Ex dc ec IIC T6/T5 Gc,<br>⊕ II 3D Ex tc IIIC T80 °C/T95 °C<br>Dc                  |
| Weight  | 180 g   |

### Contact diagram



### Switching diagram



Ⓟ Positive break travel/angle