



## Ex magnetic sensor Ex RC 2580 1Wr-Niro-5m Material number: 1298408

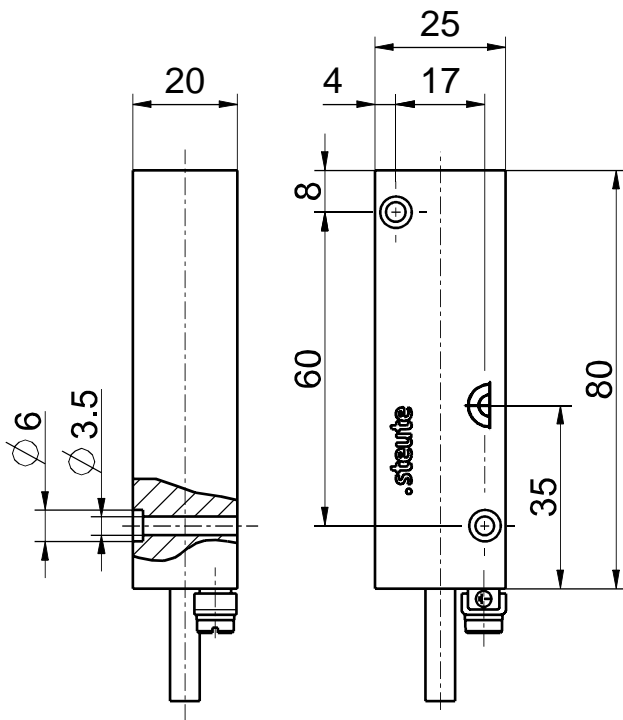
### Features/Options:

- Ex zone 1 and 21
- Stainless steel enclosure
- Cold-resistant down to -40 °C
- All side actuation

### Notes

- The actuator is not included in the delivery of the switches

### Dimensions



### Technical data

Applied standards	EN 60947-5-2, EN 60079-0, EN 60079-18
Enclosure	stainless steel 1.4571
Degree of protection	IP 67 (EN 60079-0 + IEC/EN 60529) IP 68, IP 69 (IEC/EN 60529) IP 69K (ISO 20653)
Switching system	reed contacts
Switching elements	1 bistable change-over contact
Connection	pre-wired cable H05VV-F
Cable cross-section	3 x 0.75 mm <sup>2</sup>
Cable length	5 m
Switching voltage	max. 250 VAC
Switching current	max. 0.5 A
Short-circuit current $I_k$	max. 2 A
Switching capacity	max. 30 W/VA
Ambient temperature	-40 °C ... +70 °C
Mechanical life	> 1 million operations
Vibration resistance	max. 35 g
Shock resistance	max. 50 g
Impact energy	max. 7 J
Ex marking	II 2G Ex mb IIC T6 Gb, II 2D Ex mb IIIC T80 °C Db IECEx Ex mb IIC T6 Gb Ex mb IIIC T80 °C Db



Ex magnetic sensor  
 Ex RC 2580 1Wr-Niro-5m  
 Material number: 1298408

## Technical data

Approvals

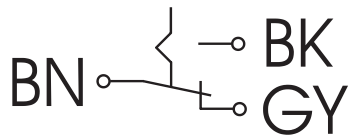
DMT 01 ATEX E 058 X  
IECEX BVS 07.0007 X



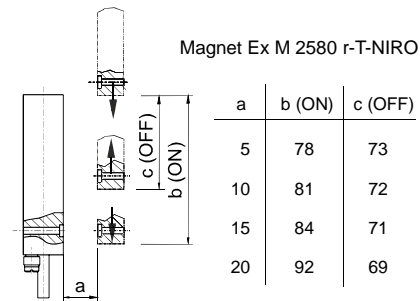
Weight

600 g

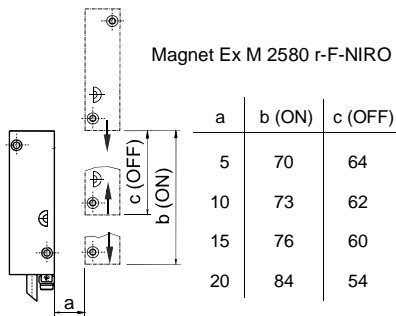
## Contact diagram



## Switching distances Ex M 2580 r-T-Niro



## Switching distances Ex M 2580 r-F-Niro



Errors and omissions excepted.