



Position switch Extreme with safety function

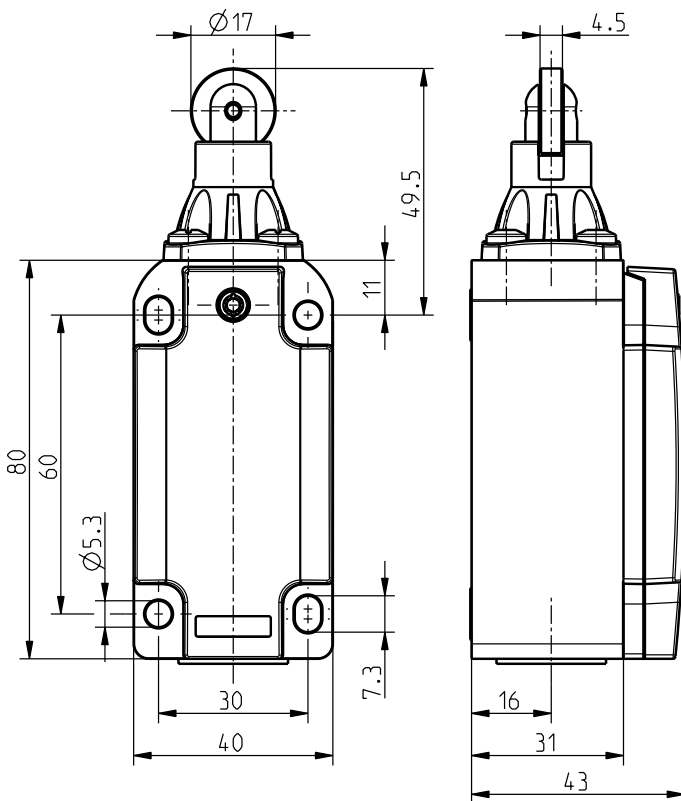
EM 98 R-12 -40°C IP66 Extreme

Material number: 1305268 (Material number old: 9106099001)

Features/Options:

- Cold-resistant down to -40 °C
- High degree of protection IP 66
- Metal enclosure
- Design to EN 50041
- Snap action, 2 NC/1 NO contact with double break
- Actuator: Roller plunger R
- Actuator type C to EN 50041
- Actuating speed max. 0.5 m/s with a vertical actuating angle of 30°

Dimensions



Technical data

Applied standards	EN ISO 13849-1, EN 60947-5-1, EN ISO 14119
Enclosure	aluminium die-cast, corrosion-resistant, powder-coated, anthracite grey, similar to RAL 7016
Cover	stainless steel 1.4401, powder-coated, signal yellow, similar to RAL 1003
Switch type	type 1
Coding level	no coding
Degree of protection	IP 66/67 to IEC/EN 60529
B_{10d} (10 % load)	2 million
T_M	max. 20 years
Contact material	silver
Switching system	snap action, positive break NC contacts \ominus
Switching elements	2 NC/1 NO contact, type Zb
Connection	screw connection terminals
Cable cross-section	max. 1.5 mm ² (incl. conductor ferrules)
Cable entry	1 x M20 x 1.5
Rated impulse withstand voltage U_{imp}	4 kV
Rated insulation voltage U_i	400 V
Conventional thermal current I_{the}	1.5 A
Rated operating current/voltage I_e/U_e	1.5 A/230 VAC; 0.27 A/250 VDC
Utilisation category	AC-15; DC-13
Short-circuit protection	1.5 A gG/gN fuse

Errors and omissions excepted.



Position switch Extreme with safety function

EM 98 R-12 -40°C IP66 Extreme

Material number: 1305268 (Material number old: 9106099001)

Technical data

Mechanical life > 1 million operations

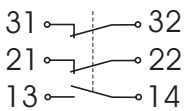
Operation cycles max. 1800/h

Ambient temperature -40 °C ... +60 °C

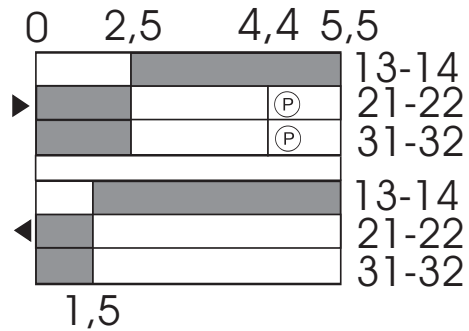
Approvals



Contact diagram



Switching diagram



(P) Positive break travel/angle