



## Position switch E 12 WPH - 5m

Material number: 1184381 (Material number old: 12720915)

### Features/Options:

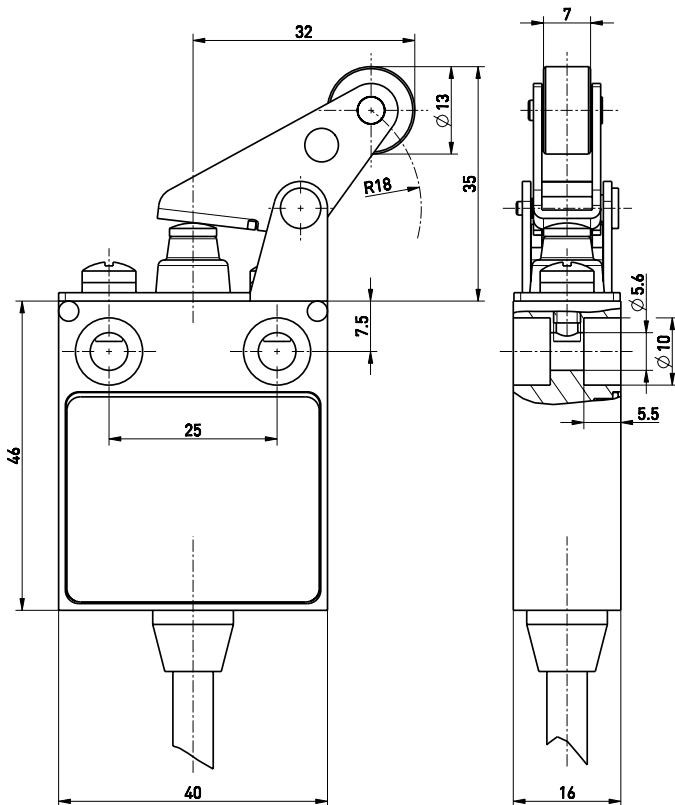
- Metal enclosure
- Snap action, change-over contact with single break
- Suitable for in-line mounting
- With pre-wired cable
- Actuator: Parallel roller lever with collar WPH

- Actuating speed max. 0.5 m/s with an actuating angle of 30°
- Actuation parallel to switch from below
- Metal roller
- Watertight collar for protection against penetration of dirt

### Notes

- Actuator can be repositioned by 180° on request
- With plastic roller available on request

### Dimensions



### Technical data

Applied standards	EN 60947-5-1
Enclosure	aluminium die-cast, powder-coated
Degree of protection	IP 67 to IEC/EN 60529
Contact material	silver
Switching elements	1 change-over contact with single break, type C
Switching system	snap action
Connection	pre-wired cable H05VV-F
Cable cross-section	4 x 0.75 mm <sup>2</sup>
Cable length	5 m
Rated impulse withstand voltage $U_{imp}$	4 kV
Rated insulation voltage $U_i$	250 V
Conventional thermal current $I_{the}$	5 A
Utilisation category	AC-15; DC-13
Rated operating current/voltage $I_g/U_g$	5 A/250 VAC; 0.16 A/230 VDC
Short-circuit protection	5 A gG/gN fuse
Mechanical life	> 1 million operations
Operation cycles	max. 1800/h
Ambient temperature	-20 °C ... +75 °C
Approvals	
Weight	500 g

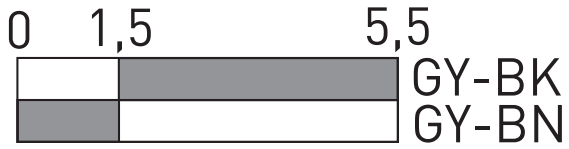
Errors and omissions excepted.



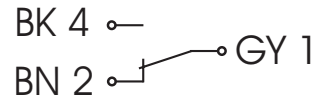
## Position switch E 12 WPH - 5m

Material number: 1184381 (Material number old: 12720915)

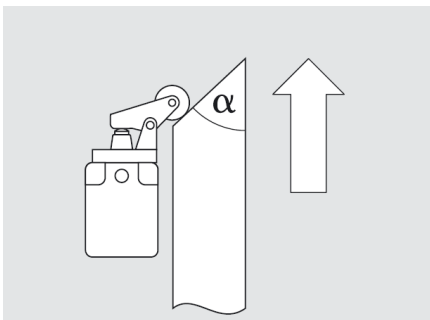
### Switching diagram



### Contact diagram



### Actuating angle



$\alpha$  - Actuating angle from bottom of switch axis as shown in picture