



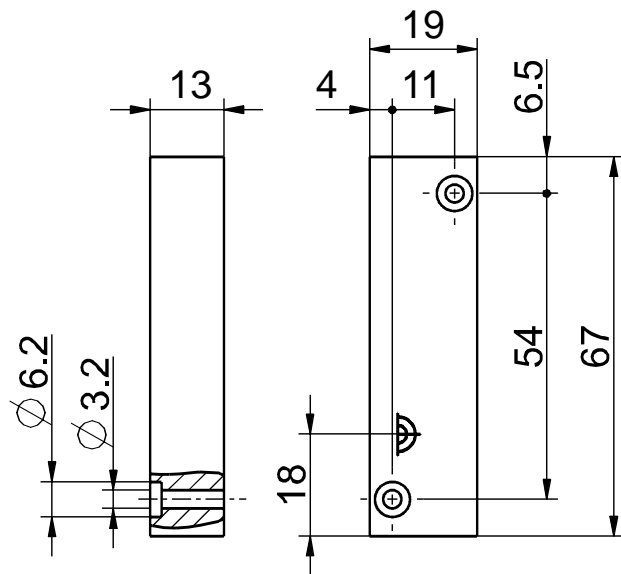
## Accessories for magnetic sensors Actuating magnet Ex M 2580-Niro

Material number: 1189176 (Material number old: 05.00.8227)

### Features/Options:

- Ex zone 1 and 21
- Temperature resistant from -40 °C to +140 °C
- High degree of protection IP 68
- Stainless steel enclosure
- Actuation from side
- Switching distance up to 30 mm

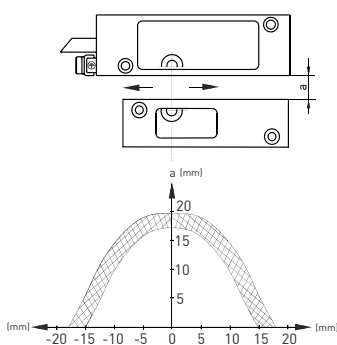
### Dimensions



### Technical data

Weight 122 g

### Axial misalignment



Errors and omissions excepted.