



Ex position switch with safety function

Ex 14 R 1Ö/1S - 10m

Material number: 1045365 (Material number old: 14009904)

Features/Options:

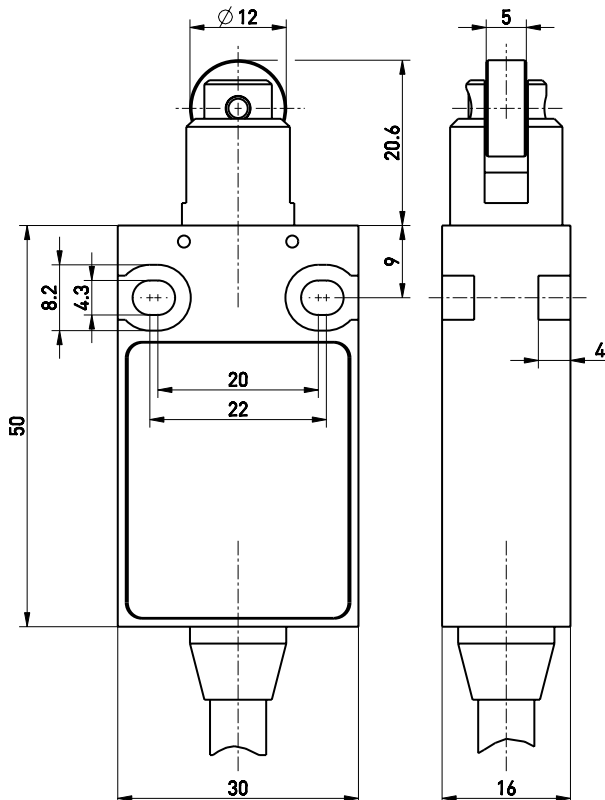
- Ex zone 1 and 21
- Thermoplastic enclosure
- Double insulated
- Mounting details to EN 50047
- Suitable for in-line mounting
- With pre-wired cable

- Actuator: Roller plunger R
- Actuating speed max. 0.5 m/s with a vertical actuating angle of 30°
- Metal roller
- Attention: Please state required international approvals with your order!

Notes

- Actuator can be repositioned by 90° on request

Dimensions



Technical data

| | |
|--|---|
| Applied standards | EN 60947-5-1, EN 60079-0, EN 60079-1, EN 60079-31, EN ISO 13849-1, EN ISO 14119 |
| Enclosure | thermoplastic, glass-fibre reinforced, impact resistant, self-extinguishing UL 94 V-0 |
| Switch type | type 1 |
| Coding level | no coding |
| Degree of protection | IP 65 to IEC/EN 60529 |
| B _{10d} (10 % load) | 2 million |
| T _M | max. 20 years |
| Contact material | silver |
| Switching system | slow action, positive break NC contacts \ominus |
| Switching elements | 1 NC/1 NO contact, type Zb |
| Connection | pre-wired cable H05VV-F |
| Cable cross-section | 4 x 0.75 mm ² (incl. conductor ferrules) |
| Cable length | 10 m |
| Rated impulse withstand voltage U _{imp} | 4 kV |
| Rated insulation voltage U _i | 250 V |
| Conventional thermal current I _{the} | T6: 6 A, T5: 3 A |
| Rated operating current/voltage I _e /U _e | 6 A/250 VAC; 0.25 A/230 VDC |
| Utilisation category | AC-15; DC-13 |
| Short-circuit protection | 6 A gG/gN fuse |

Errors and omissions excepted.



Ex position switch with safety function

Ex 14 R 1Ö/1S - 10m

Material number: 1045365 (Material number old: 14009904)

Technical data

| | |
|---------------------|--|
| Ambient temperature | T6: -20 °C ... +65 °C, T5: -20 °C ... +75 °C, +90 °C with max. 3 A |
|---------------------|--|

| | |
|-----------------|------------------------|
| Mechanical life | > 1 million operations |
|-----------------|------------------------|

| | |
|------------------|-------------|
| Operation cycles | max. 1800/h |
|------------------|-------------|

| | |
|-------------------------------------|----------|
| Repeat accuracy of switching points | ± 0.1 mm |
|-------------------------------------|----------|

| | |
|-----------------|---------------|
| Contact opening | max. 2 x 4 mm |
|-----------------|---------------|

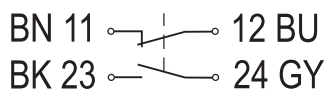
| | |
|------------|---|
| Ex marking | II 2G Ex db IIC T6/T5 Gb, II 2D Ex tb IIIC T80 °C/T95 °C Db IECEX Ex db IIC T6/T5 Gb, Ex tb IIIC T80 °C/T95 °C Db |
|------------|---|

| | |
|-----------|--|
| Approvals | PTB 03 ATEX 1070 X IECEX PTB 06.0098X |
|-----------|--|

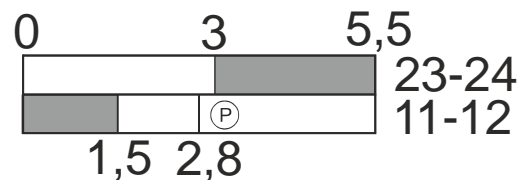


| | |
|--------|-------|
| Weight | 800 g |
|--------|-------|

Contact diagram



Switching diagram



Ⓟ Positive break travel/angle