



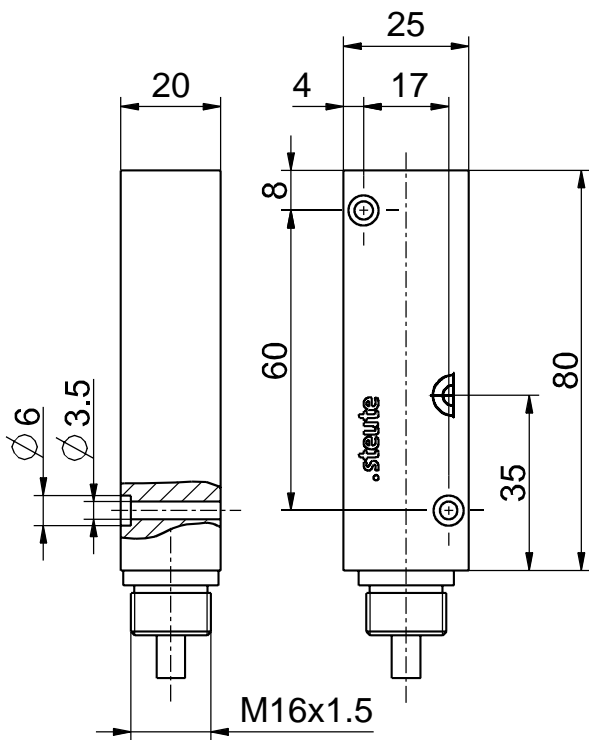
**Magnetic sensor Extreme**  
**RC 2580 1W-B-2m -40°C IP68 Niro Extreme**  
 Material number: 1190145 (Material number old: 22530203)

**Features/Options:**

- Cold-resistant down to -40 °C
- High degree of protection IP 68
- Stainless steel enclosure
- All side actuation
- Switching distance up to 30 mm
- With pre-wired cable
- With mounting thread M16 x 1.5 for cable protection system

- Notes
- The actuator is not included in the delivery of the switches

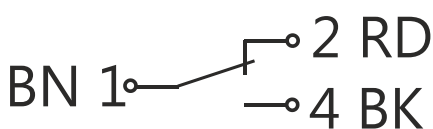
**Dimensions**



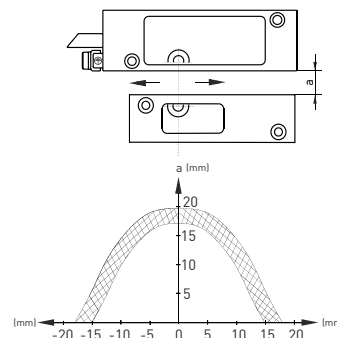
**Technical data**

Applied standards	EN 60947-5-2
Enclosure	stainless steel 1.4571
Degree of protection	IP 68 to IEC/EN 60529
Switching system	reed contacts
Switching elements	1 change-over contact
Connection	cable 3 x AWG 20
Cable cross-section	3 x 0.56 mm <sup>2</sup>
Cable length	2 m
Switching voltage	250 VAC
Switching current	max. 1 A
Switching capacity	max. 50 W/VA
Ambient temperature	-40 °C ... +70 °C
Mechanical life	> 1 million operations
Repeatability	± 0.02 mm
Vibration resistance	10 ... 50 g

**Contact diagram**



**Axial misalignment**



Errors and omissions excepted.