



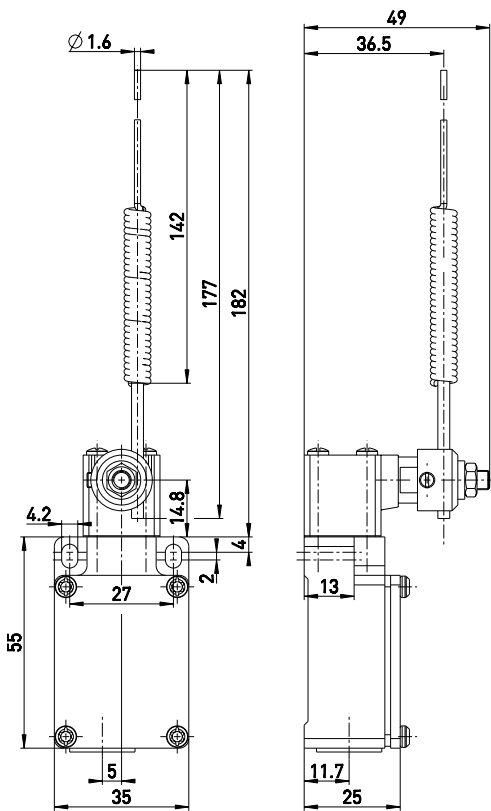
Position switch ES 51 DF 1Ö/1S

Material number: 1047041 (Material number old: 51027001)

Features/Options:

- Metal enclosure
- Slow action \ominus , change-over contact with double break
- 1 cable entry M16 x 1.5
- Actuator: Spring-rod lever DF
- Lever can be repositioned in 10° steps clockwise or counter-clockwise
- Actuator can be repositioned by 180°

Dimensions



Technical data

Applied standards	EN 60947-5-1
Enclosure	aluminium die-cast, powder-coated
Degree of protection	IP 65 to IEC/EN 60529
Contact material	silver
Switching system	slow action, positive break NC contacts \ominus
Switching elements	1 NC/1 NO contact, type Zb
Connection	screw connection terminals
Cable cross-section	max. 1.5 mm ² (incl. conductor ferrules)
Cable entry	1 x M16 x 1.5
Rated impulse withstand voltage U_{imp}	4 kV
Rated insulation voltage U_i	400 V
Conventional thermal current I_{the}	4 A
Utilisation category	AC-15
Rated operating current/voltage I_e/U_e	4 A/400 VAC
Short-circuit protection	4 A gG/gN fuse
Mechanical life	> 1 million operations
Operation cycles	max. 3600/h
Ambient temperature	-20 °C ... +80 °C
Repeat accuracy of switching points	± 0.1 mm
Approvals	
Weight	190 g

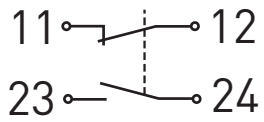
Errors and omissions excepted.



Position switch ES 51 DF 1Ö/1S

Material number: 1047041 (Material number old: 51027001)

Contact diagram



Switching diagram

