



## Ex position switch

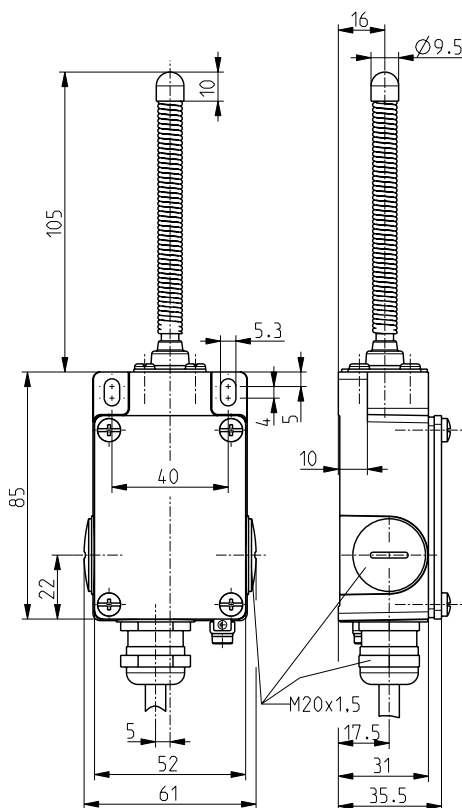
Ex 61 TF 1Ö/1S - 3m

Material number: 1183085 (Material number old: 61034301)

### Features/Options:

- Ex zone 1 and 21
- Metal enclosure
- With pre-wired cable
- Actuator: Spring rod with steel tip TF
- With rounded steel tip
- Spring rod can be actuated from any direction
- Elasticity of the spring allows for deflection above the max. switching angle
- Attention: Please state required international approvals with your order!

### Dimensions



### Technical data

Applied standards	EN 60947-5-1, EN 60079-0, EN 60079-1, EN 60079-31
Enclosure	aluminium die-cast, powder-coated
Cover	steel, powder-coated
Degree of protection	IP 65 to IEC/EN 60529
Switch insert	1 x Ex 14
Contact material	silver
Switching system	slow action
Switching elements	1 NC/1 NO contact, type Zb
Connection	pre-wired cable H05VV-F
Cable cross-section	4 x 0.75 mm <sup>2</sup> (incl. conductor ferrules)
Cable length	3 m
Rated impulse withstand voltage $U_{imp}$	4 kV
Rated insulation voltage $U_i$	250 V
Conventional thermal current $I_{the}$	T6: 6 A, T5: 3 A
Rated operating current/voltage $I_e/U_e$	6 A/250 VAC, 0.25 A/230 VDC, 3 A/24 VDC, T > 65 °C: 3 A/250 VAC; 4 A/24 VDC
Utilisation category	AC-15; DC-13
Short-circuit protection	6 A gG/gN fuse
Ambient temperature	T6: -20 °C ... +65 °C, T5: -20 °C ... +75 °C, +90 °C with max. 3 A
Mechanical life	> 1 million operations
Operation cycles	max. 1800/h

Errors and omissions excepted.



## Ex position switch

Ex 61 TF 1Ö/1S - 3m

Material number: 1183085 (Material number old: 61034301)

### Technical data

Repeat accuracy of switching points  $\pm 0.1$  mm

Contact opening max. 2 x 4.5 mm

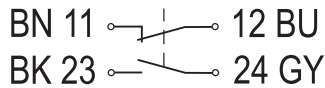
Impact energy max. 7 J

Ex marking II 2G Ex db IIC T6/T5 Gb,  
 II 2D Ex tb IIIC  
T80 °C/T95 °C Db  
IECEX Ex db IIC T6/T5 Gb,  
Ex tb IIIC T80 °C/T95 °C Db

Approvals PTB 03 ATEX 1070 X \*  
IECEX PTB 06.0098X \*  
 EAC<sub>C</sub> SP<sub>US</sub>\* referring to the switch insert

Weight 320 g

### Contact diagram



### Switching diagram

