



## Ex position switch

ExM 14 DL 1Ö/1S - 5m

Material number: 1184769 (Material number old: 14123303)

### Features/Options:

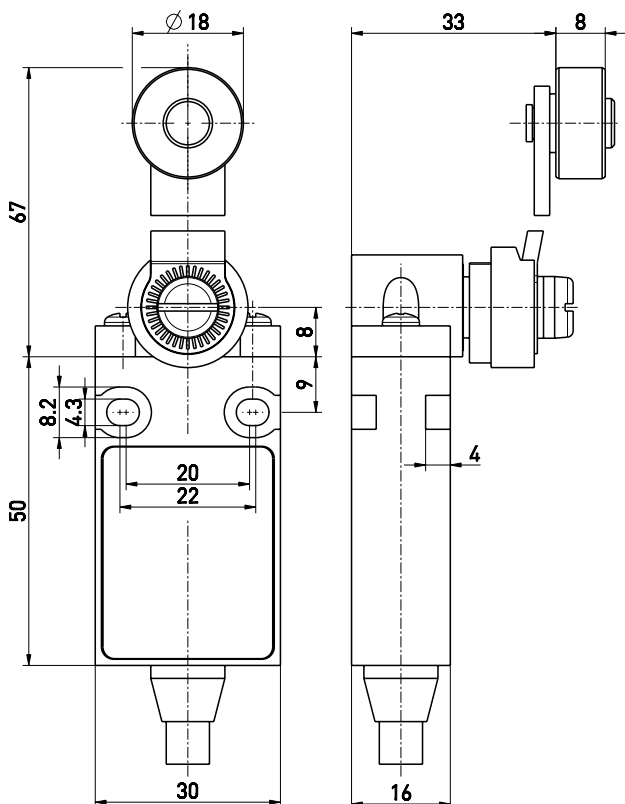
- Ex zone 1 and 21
- Thermoplastic enclosure
- Double insulated
- Mounting details to EN 50047
- Suitable for in-line mounting
- With pre-wired cable
- Actuator: Long rocking lever DL
- Actuating speed max. 0.5 m/s with a vertical actuating angle of 45°

- Wear-resistant plastic roller
- Lever can be repositioned in 10° steps clockwise or counter-clockwise
- Actuator can be repositioned by 180°
- Attention: Please state required international approvals with your order!

### Notes

- With metal roller available on request

### Dimensions



### Technical data

Applied standards	EN 60947-5-1, EN 60079-0, EN 60079-1, EN 60079-31
Enclosure	thermoplastic, glass-fibre reinforced, impact resistant, self-extinguishing UL 94 V-0
Degree of protection	IP 65 to IEC/EN 60529
Contact material	silver
Switching system	snap action
Switching elements	1 NC/1 NO contact, type Za
Connection	pre-wired cable H05VV-F
Cable cross-section	4 x 0.75 mm <sup>2</sup> (incl. conductor ferrules)
Cable length	5 m
Rated impulse withstand voltage $U_{imp}$	4 kV
Rated insulation voltage $U_i$	250 V
Conventional thermal current $I_{the}$	5 A
Rated operating current/voltage $I_e/U_e$	5 A/250 VAC; 0.2 A/230 VDC
Utilisation category	AC-1; DC-1
Short-circuit protection	5 A gG/gN fuse
Ambient temperature	-20 °C ... +60 °C
Mechanical life	> 1 million operations
Operation cycles	max. 1800/h

Errors and omissions excepted.



## Ex position switch

ExM 14 DL 1Ö/1S - 5m

Material number: 1184769 (Material number old: 14123303)

### Technical data

Repeat accuracy of switching points  $\pm 0.1$  mm

Contact opening max. 2 x 4 mm

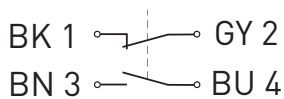
Ex marking  
 II 2G Ex db IIC T6 Gb,  
 II 2D Ex tb IIIC T80 °C Db  
IECEX Ex d IIC T6 Gb  
Ex tb IIIC T80 °C Db

Approvals  
PTB 00 ATEX 1006 X  
IECEX PTB 13.0019X

**ERC**

Weight 450 g

### Contact diagram



### Switching diagram

