



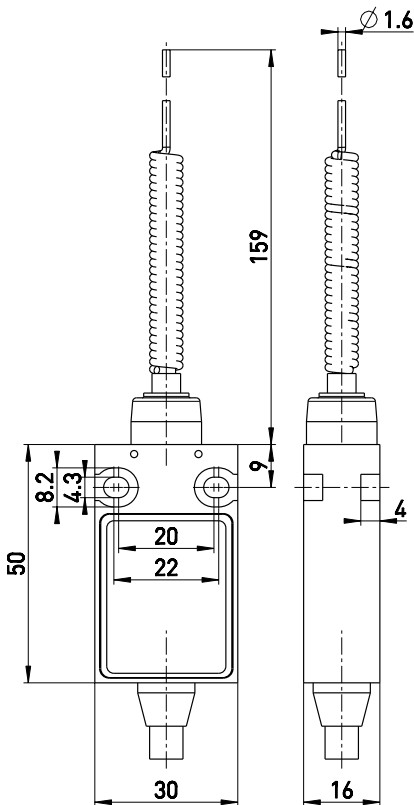
## Position switch EM 14 TL - 5m

Material number: 1188931 (Material number old: 14732004)

### Features/Options:

- Thermoplastic enclosure
- Double insulated
- Mounting details to EN 50047
- Suitable for in-line mounting
- With pre-wired cable
- Actuator: Long spring rod TL
- Spring rod can be actuated from any direction
- Spring rod can be shortened 30 mm in actuating area
- Exact linear actuation not necessary
- Elasticity of the spring allows for deflection above the max. switching angle of 18°

### Dimensions



### Technical data

|   |   |
|---|---|
| Applied standards                         | EN 60947-5-1  |
| Enclosure                                 | thermoplastic, glass-fibre reinforced, impact resistant, self-extinguishing UL 94 V-0 |
| Degree of protection                      | IP 67 to IEC/EN 60529   |
| Contact material                          | silver  |
| Switching system                          | snap action   |
| Switching elements                        | 1 change-over contact with single break, type C                                       |
| Connection                                | pre-wired cable H05VV-F   |
| Cable cross-section                       | 3 x 0.75 mm <sup>2</sup>  |
| Cable length                              | 5 m   |
| Rated impulse withstand voltage $U_{imp}$ | 4 kV  |
| Rated insulation voltage $U_i$            | 250 V   |
| Conventional thermal current $I_{the}$    | 5 A   |
| Rated operating current/voltage $I_e/U_e$ | 5 A/250 VAC; 0.16 A/230 VDC   |
| Utilisation category                      | AC-15; DC-13  |
| Short-circuit protection                  | 5 A gG/gN fuse  |
| Ambient temperature                       | -20 °C ... +75 °C   |
| Mechanical life                           | > 1 million operations  |
| Operation cycles                          | max. 1800/h   |
| Repeat accuracy of switching points       | $\pm 0.1$ mm  |
| Contact opening                           | max. 2 x 4 mm   |

### Approvals



Errors and omissions excepted.



## Position switch

EM 14 TL - 5m

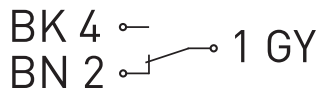
Material number: 1188931 (Material number old: 14732004)

### Technical data

Weight

392 g

### Contact diagram



### Switching diagram

