



## Emergency pull-wire switch ZS 71 2Ö/1S WVD / 100 N

Material number: 1185001 (Material number old: 71942904)

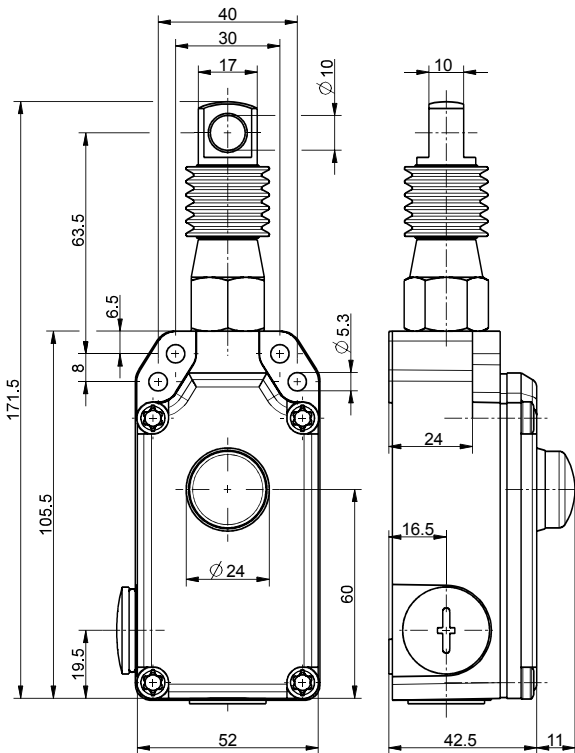
### Features/Options:

- Metal enclosure
- 3 contacts
- Compact design
- Wire length up to 35 m
- Spring force variant: 100 N
- Release by push button (VD)
- Wire pull and breakage detection
- Watertight collar W for protection against penetration of dirt

### Notes

- At 3 m distance intermediate wire supports are required. One wire thimble is provided.

### Dimensions



### Technical data

Applied standards	EN 60947-5-1, EN 60947-5-5, EN ISO 13850, EN ISO 13849-1
Enclosure	aluminium die-cast, powder-coated
Cover	thermoplastic, glass-fibre reinforced, impact resistant, self-extinguishing UL 94 V-0
Degree of protection	IP 65 to IEC/EN 60529
$B_{10d}$ (10 % load)	100 000
$T_M$	max. 20 years
Contact material	silver
Switching system	snap action, positive break NC contacts $\ominus$
Switching elements	2 NC/1 NO contact, type Zb
Connection	screw connection terminals
Cable cross-section	min. 0.5 mm <sup>2</sup> , max. 2.5 mm <sup>2</sup> (incl. conductor ferrules)
Stripping length	6 mm
Cable entry	2 x M20 x 1.5
Rated impulse withstand voltage $U_{imp}$	6 kV
Rated insulation voltage $U_i$	400 V
Conventional thermal current $I_{the}$	2 A
Utilisation category	AC-15
Rated operating current/voltage $I_e/U_e$	2 A/250 VAC
Short-circuit protection	2 A gG/gN fuse
Ambient temperature	-25 °C ... +70 °C

Errors and omissions excepted.



## Emergency pull-wire switch

ZS 71 2Ö/1S WVD / 100 N

Material number: 1185001 (Material number old: 71942904)

### Technical data

Mechanical life > 100 000 operations

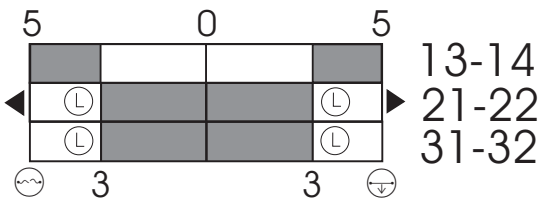
Max. wire length 35 m

#### Approvals



Weight 368 g

### Switching diagram



- Ⓛ Latching point
- Ⓜ Wire breakage detection
- Ⓟ Wire pull detection

### Contact diagram

