



Slack-wire switch

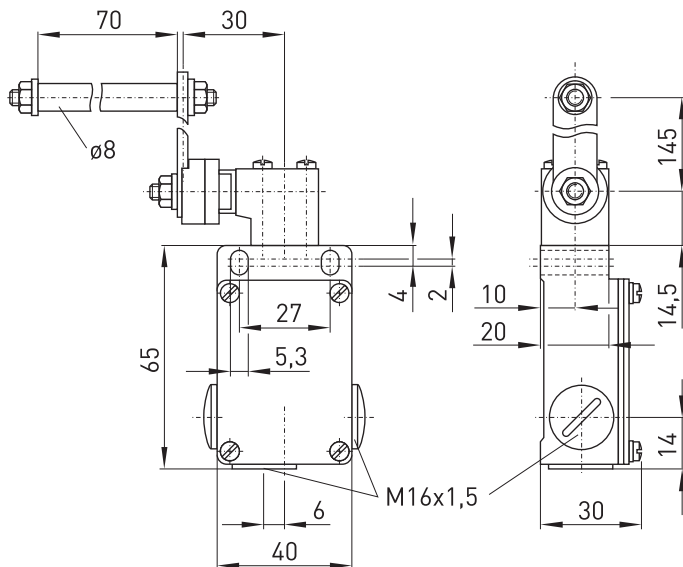
EM 41 DB/90° 1Ö/1S - 70 mm

Material number: 1186424 (Material number old: 41121920)

Features/Options:

- Metal enclosure
- Snap action: 2 contacts
- Actuating roller: 70 mm long

Dimensions



Technical data

Applied standards	EN 60947-5-1
Enclosure	aluminium die-cast, powder-coated
Cover	steel, powder-coated
Degree of protection	IP 65 to IEC/EN 60529
Contact material	silver
Switching elements	1 NC/1 NO contact, type Zb
Switching system	snap action
Connection	screw connection terminals
Cable cross-section	max. 2.5 mm ² (incl. conductor ferrules)
Cable entry	3 x M16 x 1.5
Rated impulse withstand voltage U_{imp}	4 kV
Rated insulation voltage U_i	400 V
Conventional thermal current I_{the}	6 A
Utilisation category	AC-15
Rated operating current/voltage I_e/U_e	6 A/400 VAC
Short-circuit protection	6 A gG/gN fuse
Ambient temperature	-20 °C ... +80 °C
Mechanical life	> 1 million operations
Operation cycles	max. 1800/h
Approvals	ERC
Weight	268 g

Errors and omissions excepted.

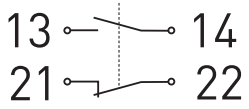


Slack-wire switch

EM 41 DB/90° 1Ö/1S - 70 mm

Material number: 1186424 (Material number old: 41121920)

Contact diagram



Switching diagram

