



## Safety sensor Extreme RC Si M30 1Ö/1S - 2m - Niro - IP69 Extreme Material number: 1188973 (Material number old: 23009202)

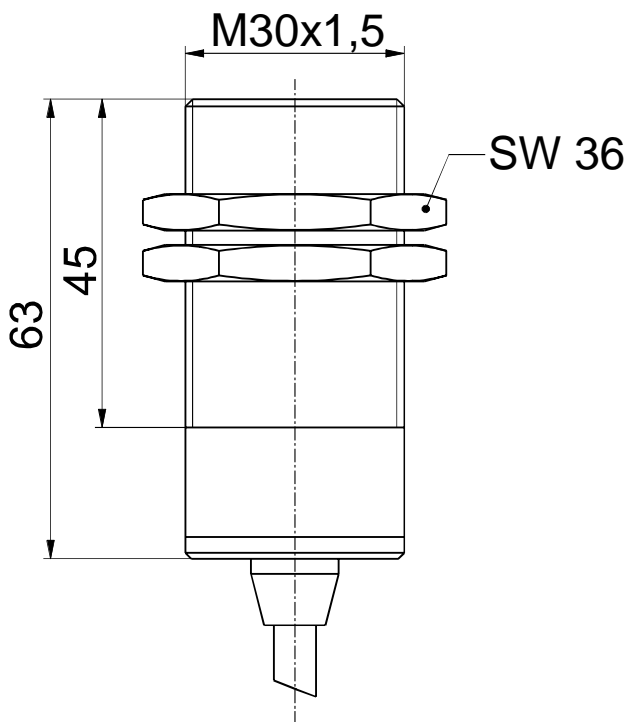
### Features/Options:

- Version with higher degree of protection IP 69: suitable for cleaning with 80 °C hot water at 100 bar pressure at a distance of 100 mm from different directions
- Stainless steel enclosure
- Long life
- Reed contacts, coded
- Actuation from front
- Switching distance up to 10 mm
- With pre-wired cable

### Notes

- 2 mounting nuts are included in delivery
- The actuator is not included in the delivery of the switches

### Dimensions



### Technical data


|                              |   |
|------------------------------|---|
| Applied standards            | EN ISO 13849-1, EN ISO 14119, EN 60947-5-2, EN 60947-5-3*   |
| Enclosure                    | stainless steel 1.4539  |
| Sensor type                  | type 4 interlocking device  |
| Coding level                 | low coding  |
| Tightening torque            | mounting nut: max. 75 Nm  |
| Degree of protection         | IP 66, IP 67, IP 69 (IEC/EN 60529) / IP 69K (ISO 20653)   |
| Safety-relevant data:        |   |
| EN ISO 13849-1               | Performance Level PL e  |
| Category                     | 4   |
| B <sub>10d</sub> (10 % load) | 20 million  |
| T <sub>M</sub>               | max. 20 years   |
| MTTF <sub>d</sub>            | > 100 years   |
| DC/DC <sub>avg</sub>         | > 99 %  |
| h <sub>op</sub>              | 8 h/day   |
| d <sub>op</sub>              | 220 days/year   |
| t <sub>zyklus</sub>          | 20 s  |
| Note                         | The safety-related data are only valid in combination with a safety module, e.g. SRM 21 RT2 (mat. no. 1179203). |
| Switching system             | reed contacts   |
| Switching elements           | 1 NC/1 NO contact   |
| Connection                   | cable 4 x AWG 20  |

Errors and omissions excepted.

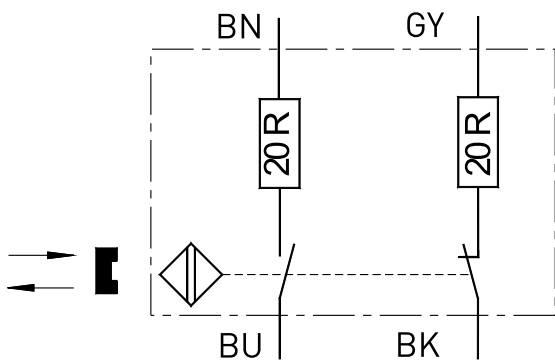


Safety sensor Extreme  
 RC Si M30 1Ö/1S - 2m - Niro - IP69 Extreme  
 Material number: 1188973 (Material number old: 23009202)

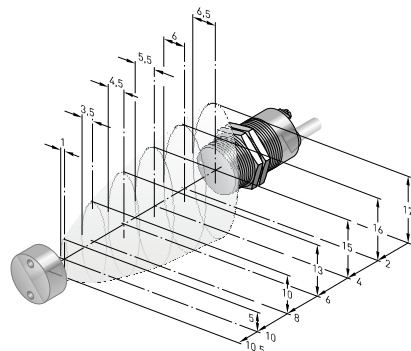
Technical data

|  |   |
|--|---|
| Cable cross-section  | 4 x 0.56 mm <sup>2</sup>  |
| Cable length   | 2 m   |
| Switching voltage  | max. 30 VDC   |
| Rated operating current/<br>voltage I <sub>e</sub> /U <sub>e</sub> | max. 157 mA / 24 VDC  |
| Utilisation category   | DC-12   |
| Voltage drop at I <sub>e</sub>                                     | max. 3.15 V   |
| Short-circuit current I <sub>k</sub>                               | max. 750 mA for 50 ms   |
| Switching frequency  | max. 5 Hz   |
| Degree of pollution  | 3   |
| Safety class   | II  |
| Rated switching distance s <sub>n</sub>                            | 10 mm   |
| Assured switching distance<br>»ON« s <sub>ao</sub>                 | 8 mm  |
| Assured switching distance<br>»OFF« s <sub>ar</sub>                | 30 mm   |
| Repeatability  | ± 0.5 mm  |
| Hysteresis   | approx. 14 mm   |
| Ambient temperature  | -20 °C ... +85 °C   |
| Mechanical life  | > 10 million operations   |
| Approvals  |  |
| Weight   | 275 g   |

Contact diagram



Axial misalignment



Errors and omissions excepted.