



Pull-wire switch

ZS 71 1Ö/1S W / 200 N

Material number: 1048093 (Material number old: 71142904)

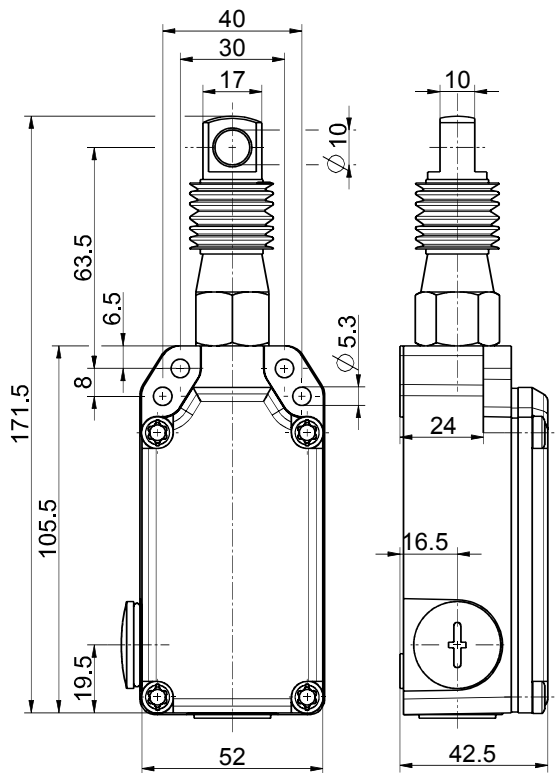
Features/Options:

- Metal enclosure
- 2 contacts
- Compact design
- Wire length up to 20 m
- Spring force variant: 200 N
- Wire pull and breakage detection
- Watertight collar W for protection against penetration of dirt
- Without mechanical latching

Notes

- At 3 m distance intermediate wire supports are required. One wire thimble is provided.

Dimensions



Technical data

| | |
|--|---|
| Applied standards | EN 60947-5-1, EN ISO 13849-1, GS-ET-15 |
| Enclosure | aluminium die-cast, powder-coated |
| Cover | thermoplastic, glass-fibre reinforced, impact resistant, self-extinguishing UL 94 V-0 |
| Degree of protection | IP 65 to IEC/EN 60529 |
| B _{10d} (10 % load) | 2 million |
| T _M | max. 20 years |
| Contact material | silver |
| Switching system | snap action, positive break NC contacts \ominus |
| Switching elements | 1 NC/1 NO contact |
| Connection | screw connection terminals |
| Cable cross-section | max. 2.5 mm ² (incl. conductor ferrules) |
| Cable entry | 2 x M20 x 1.5 |
| Rated impulse withstand voltage U _{imp} | 6 kV |
| Rated insulation voltage U _i | 400 V |
| Conventional thermal current I _{the} | 6 A |
| Utilisation category | AC-15 |
| Rated operating current/voltage I _e /U _e | 6 A/400 VAC |
| Short-circuit protection | 6 A gG/gN fuse |
| Ambient temperature | -25 °C ... +70 °C |
| Mechanical life | > 1 million operations |

Errors and omissions excepted.



Pull-wire switch

ZS 71 1Ö/1S W / 200 N

Material number: 1048093 (Material number old: 71142904)

Technical data

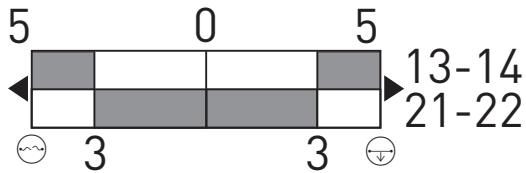
Max. wire length 20 m

Approvals



Weight 365 g

Switching diagram



- Wire breakage detection
- Wire pull detection

Contact diagram

