



## Foot switch with thermoplastic enclosure

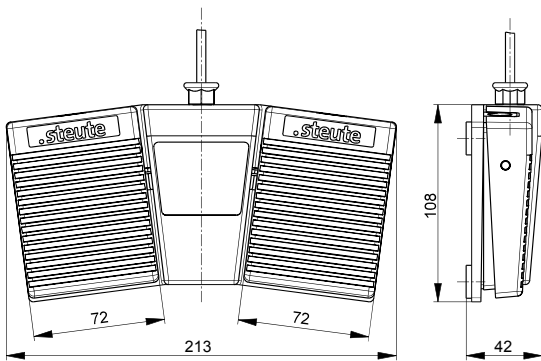
KF 2 1S/1S-2m

Material number: 1049007 (Material number old: 87168004)

### Features/Options:

- 2-pedal type
- Thermoplastic enclosure
- Small flat design
- With pre-wired cable
- Reed contacts (1 NO contact per pedal) for low currents from 1 mA to 1 A

### Dimensions



### Technical data

Applied standards	EN 60947-5-1
Enclosure	thermoplastic, glass-fibre reinforced, impact resistant, self-extinguishing UL 94 V-0
Pedal	thermoplastic, glass-fibre reinforced, impact resistant, self-extinguishing UL 94 V-0
Degree of protection	IP 65 to IEC/EN 60529
Connection	pre-wired cable 4 x AWG 24
Cable length	2 m
Cable diameter	4.3 mm $\pm$ 3%
Cable cross-section	4 x 0.20 mm <sup>2</sup>
Switching system	reed contacts
Switching elements	1 NO contact per pedal
Switching voltage	12 ... 250 VAC/DC
Switch-on current	max. 1 A
Switch-on power	max. 30 VA
Ambient temperature	-10 °C ... +60 °C
Mechanical life	> 1 million operations
Approvals	
Weight	506 g

