



Ex Wireless inductive sensor Ex RF IS M30 nb-ST 2 m Material number: 1476721

Features/Options:

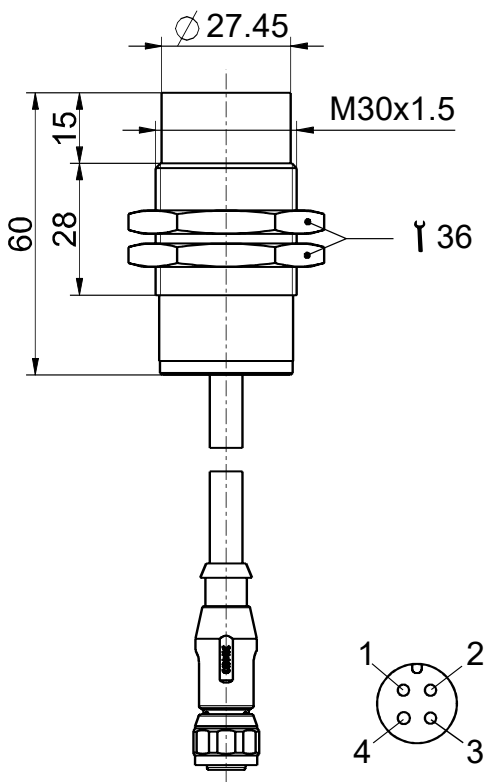
- Ex zone 1 and 21 in combination with [universal transmitter Ex RF 96 ST](#)
- Metal enclosure
- M30 x 1.5 thread

Notes

- 2 mounting nuts are included in delivery

- Non-flush mounting
- With M12 coupling, 4-pole

Dimensions



Technical data

Applied standards	EN 60947-5-2
Enclosure	brass, nickeled
Actuator	steel plate 45 x 45 x 1 mm, FE 360
Front cap	PVC, black
Back cap	PVC, black
Degree of protection	IP 67 to IEC/EN 60529
Connection	Coupling M12 x 1, 4-pole
Cable cross-section	3 x 0.5 mm ²
Cable length	2 m
Ambient temperature	-20 °C ... +60 °C
Rated insulation voltage U_i	75 VDC
Rated operating current I_e	0.2 mA
Rated operating voltage U_e	3 ... 5 VDC
Rated switching distance s_n	15 mm
Assured switching distance s_a	0 ... 12.15 mm
Real switching distance s_r	13.5 ... 16.5 mm
Hysteresis	approx. 10 %
Repeatability	≤ 5 %
Type of installation	non-flush
Switching frequency	see Ex RF 96 ST
Correction factors	Steel (Fe360) = 1; Stainless steel approx. 0.7; Brass approx. 0.5; Aluminium approx. 0.4; Copper approx. 0.4

Errors and omissions excepted.



Ex Wireless inductive sensor
Ex RF IS M30 nb-ST 2 m
Material number: 1476721

Technical data

Note The sensor may only be used in combination with an Ex RF 96 ST and is included within the ATEX and IECEx approvals for the wireless Ex universal transmitter.

Ex marking II 2G Ex ib IIC T4 Gb,
 II 2D Ex ib IIIC T135 °C Db
IECEX Ex ib IIC T4 Gb,
Ex ib IIIC T135 °C Db

Approvals BVS 19 ATEX E 009 X
IECEX BVS 19.0040X

Cable PVC, blue

Weight 286 g

Contact diagram

