

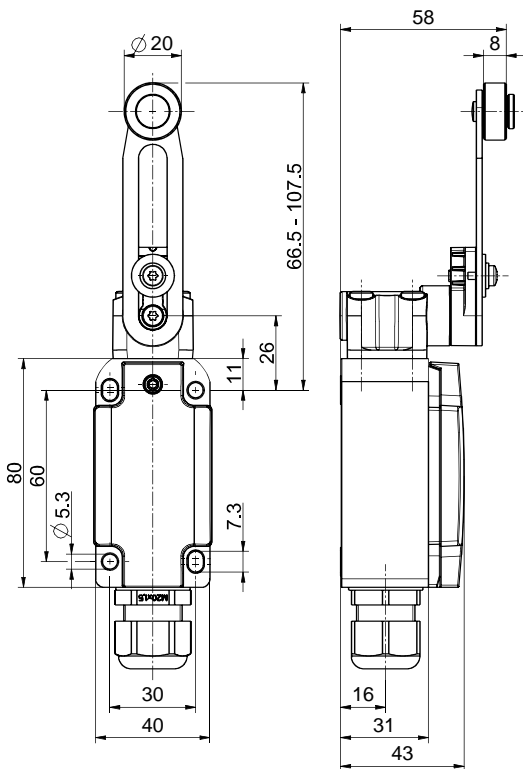


Position switch Extreme EM 98 DS-12 +90°C IP69 Extreme Material number: 1306941 (Material number old: 9106299002)

Features/Options:

- Heat-resistant up to +90 °C
- High degree of protection IP 69, IP 69K
- Metal enclosure
- Design to EN 50041
- Snap action, 2 NC/1 NO contact with double break
- Actuator: Adjustable rocking lever DS
- Actuating speed max. 2.5 m/s with a vertical actuating angle of 30°
- Wear-resistant plastic roller
- Actuator can be repositioned by 4 x 90°
- Lever angle adjustable in 10° steps

Dimensions



Technical data

Applied standards	EN 60947-5-1
Enclosure	aluminium die-cast, corrosion-resistant, powder-coated, anthracite grey, similar to RAL 7016
Cover	stainless steel 1.4401, powder-coated, signal yellow, similar to RAL 1003
Degree of protection	IP 66, IP 67, IP 69 (IEC/EN 60529) / IP 69K (ISO 20653)
Contact material	silver
Switching system	snap action
Switching elements	2 NC/1 NO contact, type Zb
Connection	screw connection terminals
Cable cross-section	max. 1.5 mm ² (incl. conductor ferrules)
Cable entry	1 x M20 x 1.5
Rated impulse withstand voltage U_{imp}	4 kV
Rated insulation voltage U_i	400 V
Conventional thermal current I_{the}	1.5 A
Rated operating current/voltage I_e/U_e	1.5 A/230 VAC; 0.27 A/250 VDC
Utilisation category	AC-15; DC-13
Short-circuit protection	1.5 A gG/gN fuse
Mechanical life	> 1 million operations
Operation cycles	max. 1800/h
Ambient temperature	-20 °C ... +90 °C

Errors and omissions excepted.



Position switch Extreme
 EM 98 DS-12 +90°C IP69 Extreme
 Material number: 1306941 (Material number old: 9106299002)

Technical data

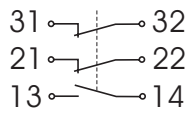
Approvals



Weight

355 g

Contact diagram



Switching diagram

