



Multi-function handle

TG-W GR 1Ö x

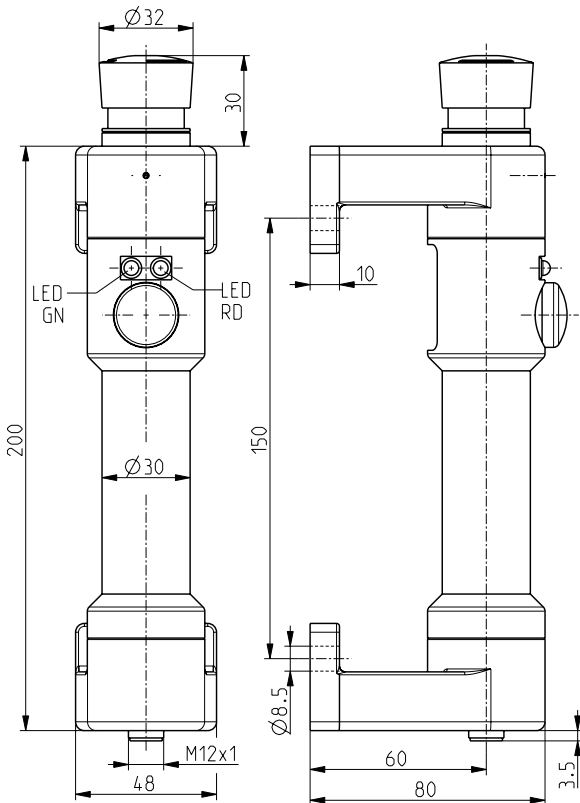
Material number: 1050594 (Material number old: 97755002)

Features/Options:

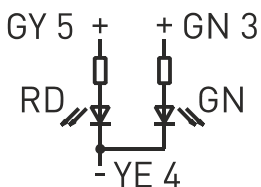
- Thermoplastic handle
- Long life
- Emergency-stop push button to EN 60947-5-5: 1-channel ☹

- Green and red LED
- Green enabling push button: single-break change-over contact
- With plug-in connector M12 x 1, 8-pole

Dimensions



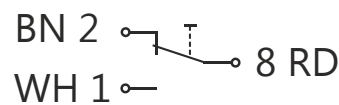
Contact diagram LEDs



Technical data

Applied standards	EN 60947-5-1, EN 60947-5-5
Enclosure	POM, glass-fibre reinforced, impact resistant
Degree of protection	IP 65 to IEC/EN 60529
B_{10d} (10 % load)	100 000
T_M	max. 20 years
Connection	Plug-in connector, A-coded
Rated operating current/voltage I_e/U_e	0.6 A/28 VDC LEDs: 10 mA/24 VDC
Rated insulation voltage U_i	30 VDC
Rated switching capacity	max. 0.6 W
Degree of pollution	3
Mechanical life	> 50 000 operations
Ambient temperature	-25 °C ... +55 °C
Weight	358 g

Contact diagram enabling push-button





Multi-function handle

TG-W GR 1Ö x

Material number: 1050594 (Material number old: 97755002)

Plug-in configuration (view from plug side)

Contact diagram emergency-stop push-button

