



## Magnetic sensor

### RC 20 1S-ST

Material number: 1045789 (Material number old: 22021001)

#### Features/Options:

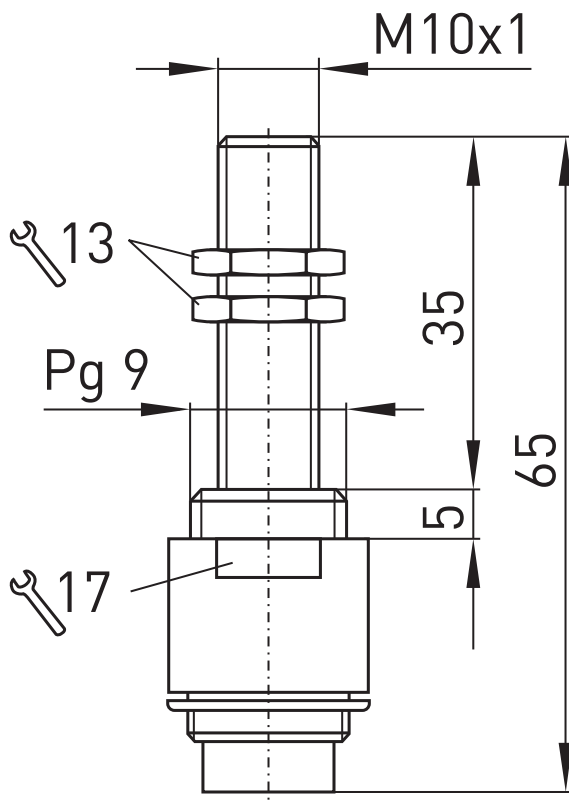
- Metal enclosure
- Long life
- 1 Reed contact
- Actuation from front and from side
- Switching distance up to 41 mm depending on the actuating magnet

- Coupler for magnetic sensors with plug-in connectors M16 x 0.75:  
for 24 VDC Hirschmann type Masei 3100, degree of protection IP 30

#### Notes

- 2 mounting nuts are included in delivery
- The actuator is not included in the delivery of the switches

#### Dimensions



#### Technical data

Applied standards	EN 60947-5-2
Enclosure	brass, nickeled
Degree of protection	IP 30 to IEC/EN 60529
Switching system	reed contacts
Switching elements	1 NO contact
Connection	3-pole connector to DIN 41524
Switching voltage	max. 24 VAC/DC
Switching current	max. 0.5 A
Switching capacity	max. 50 W/VA
Switching frequency	max. 200 Hz
Ambient temperature	-20 °C ... +60 °C
Mechanical life	10 <sup>9</sup> operations
Repeatability	± 0.02 mm
Vibration resistance	20 g
Cable cross-section	1S: 2 x 0.34 mm <sup>2</sup> , 1W: 3 x 0.14 mm <sup>2</sup>
Cable length	1, 2 or 5 m
Weight	40 g

Errors and omissions excepted.

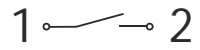


Magnetic sensor

RC 20 1S-ST

Material number: 1045789 (Material number old: 22021001)

Contact diagram



Plug-in configuration

