



Magnetic sensor Extreme RC 60 1W - 2m -40° ... +130°C Extreme Material number: 1187005 (Material number old: 26039201)

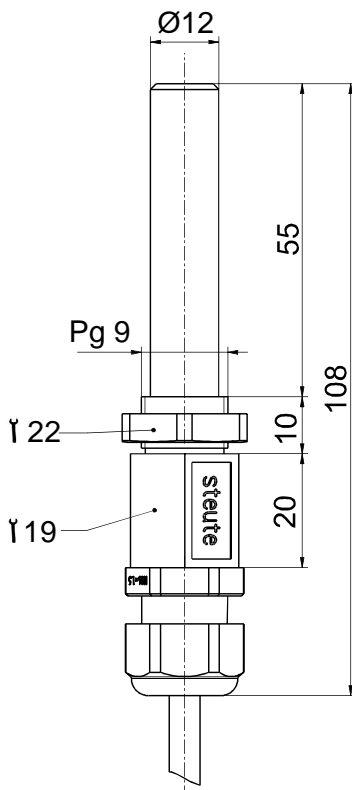
Features/Options:

- Temperature resistant from -40 °C to +130 °C
- Thermoplastic enclosure
- Long life
- 1 Reed contact
- Actuation from front and from side
- Switching distance up to 33 mm depending on the actuating magnet
- With pre-wired cable
- Attention: Please state required international approvals with your order!

Notes

- 1 mounting nut is included in delivery
- The actuator is not included in the delivery of the switches

Dimensions



Technical data

Applied standards	EN 60947-5-2
Enclosure	thermoplastic, glass-fibre reinforced, impact resistant, self-extinguishing UL 94 V-0
Degree of protection	IP 67 to IEC/EN 60529
Switching system	reed contacts
Switching elements	1 change-over contact
Connection	pre-wired cable, Silicone SIHF
Cable cross-section	3 x 0.75 mm ²
Cable length	2 m
Switching voltage	max. 250 VAC/DC
Switching current	max. 0.5 A
Switching capacity	max. 15 W
Switching frequency	max. 200 Hz
Ambient temperature	-40 °C ... +130 °C
Mechanical life	10 ⁹ operations
Repeatability	± 0.02 mm
Vibration resistance	10 g
Weight	168 g

Errors and omissions excepted.



Magnetic sensor Extreme

RC 60 1W - 2m -40° ... +130°C Extreme

Material number: 1187005 (Material number old: 26039201)

Contact diagram

