



## Position switch ES 41 WHK 2Ö

Material number: 1046534 (Material number old: 41518001)

### Features/Options:

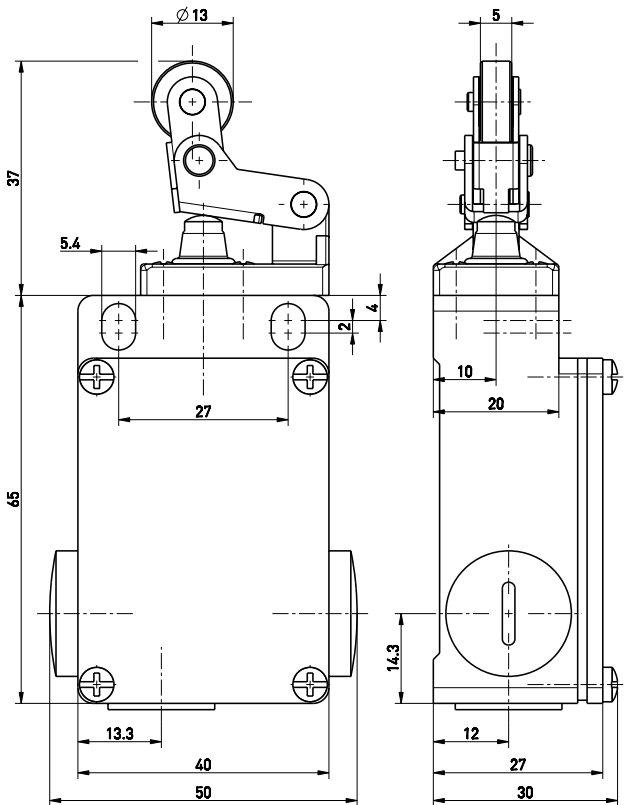
- Metal enclosure
- Slow action  $\ominus$ , 2 NC contacts with double break
- 3 cable entries M16 x 1.5
- Actuator: Offset roller lever with collar WHK
- Actuating speed max. 0.5 m/s with an actuating angle of 40°

- Actuation only possible from right-hand side
- Free movement of actuator from left-hand side
- Wear-resistant plastic roller
- Actuator can be repositioned by 4 x 90°
- Watertight collar for protection against penetration of dirt

### Notes

- With metal roller available on request

### Dimensions



### Technical data

Applied standards	EN 60947-5-1
Enclosure	aluminium die-cast, powder-coated
Degree of protection	IP 65 to IEC/EN 60529
Contact material	silver
Switching system	slow action
Switching elements	2 NC contacts, type Zb
Connection	screw connection terminals
Cable cross-section	max. 2.5 mm <sup>2</sup> (incl. conductor ferrules)
Cable entry	3 x M16 x 1.5
Rated impulse withstand voltage $U_{imp}$	4 kV
Rated insulation voltage $U_i$	400 V
Conventional thermal current $I_{the}$	6 A
Utilisation category	AC-15
Rated operating current/voltage $I_e/U_e$	6 A/400 VAC
Short-circuit protection	6 A gG/gN fuse
Mechanical life	> 1 million operations
Operation cycles	max. 3600/h
Ambient temperature	-20 °C ... +80 °C
Repeat accuracy of switching points	± 0.1 mm

### Approvals



Errors and omissions excepted.



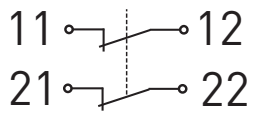
## Position switch ES 41 WHK 2Ö

Material number: 1046534 (Material number old: 41518001)

### Technical data

Weight 120 g

### Contact diagram



### Switching diagram

