



## Foot switch with metal enclosure

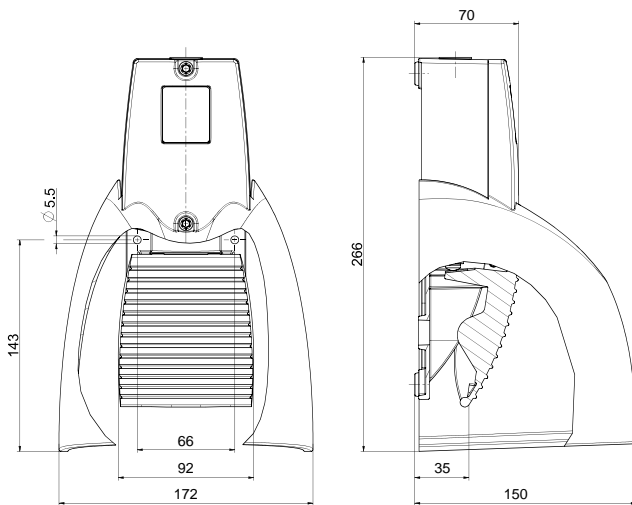
### GFSIM 1Ö/1S

Material number: 1159404 (Material number old: 53202001)

#### Features/Options:

- Metal enclosure
- With protective shield
- Ergonomic pedal design and wide opening in protective shield
- Wiring compartment

#### Dimensions



#### Technical data

Applied standards	EN 60947-5-1
Enclosure	aluminium die-cast, powder-coated
Pedal	aluminium die-cast, powder-coated
Protective shield	aluminium die-cast, powder-coated
Degree of protection	IP 67 to IEC/EN 60529
$B_{10d}$ (10 % load)	2 million
$T_M$	max. 20 years
Connection	screw connection terminals
Cable cross-section	max. 2.5 mm <sup>2</sup> (incl. conductor ferrules)
Cable entry	1 x M20 x 1.5
Contact material	silver
Switching system	snap action, positive break NC contacts $\ominus$
Switching elements	1 NC/1 NO contact, type Zb
Switch insert	1 x ZS 232
Utilisation category	AC-15
Rated operating current/voltage $I_e/U_e$	4 A/230 VAC; 2.5 A/400 VAC; 1 A/500 VAC
Short-circuit protection	4 A gG/gN fuse
Ambient temperature	-25 °C ... +80 °C
Mechanical life	> 1 million operations
Approvals	<b>ERC</b>
Weight	1486 g

Errors and omissions excepted.

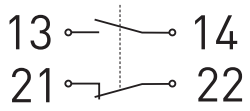


## Foot switch with metal enclosure

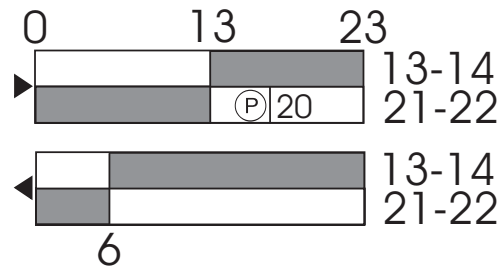
GFSIM 1Ö/1S

Material number: 1159404 (Material number old: 53202001)

### Contact diagram



### Switching diagram



Ⓟ Positive break travel/angle